



EBARA

	Page
- SPECIFICATIONS	200
SPECIFICATIONS 6BHE	200
SPECIFICATION 8BHE	201
SELECTION CHART 6BHE	202
SELECTION CHART 6BHE 13	203
SELECTION CHART 6BHE 20	204
SELECTION CHART 6BHE 32	205
SELECTION CHART 6BHE 48	206
SELECTION CHART 6BHE 64	207
SELECTION CHART 8BHE	208
SELECTION CHART 8BHE 77	209
SELECTION CHART 8BHE 95	210
TYPE KEY AND CURVE SPECIFICATIONS	211
PERFORMANCE CURVE 6BHE 13 (4 kW ÷ 9.3 kW)	213
PERFORMANCE CURVE 6BHE 13 (11kW ÷ 18.5 kW)	214
PERFORMANCE CURVE 6BHE 13 (11 kW ÷18.5 kW)	215
PERFORMANCE CURVE 6BHE 13 (22 kW)	216
PERFORMANCE CURVE 6BHE 13 (30 kW)	217
PERFORMANCE CURVE 6BHE 13 (30 kW)	218
PERFORMANCE CURVE 6BHE 20 (4 kW ÷9.3 kW)	219
PERFORMANCE CURVE 6BHE 20 (11 kW ÷18.5 kW)	220
PERFORMANCE CURVE 6BHE 20 (22 kW)	221
PERFORMANCE CURVE 6BHE 20 (30 kW)	222
PERFORMANCE CURVE 6BHE 20 (37 kW)	223
PERFORMANCE CURVE 6BHE 20 (37 kW)	224
PERFORMANCE CURVE 6BHE 20 (45 kW)	225
PERFORMANCE CURVE 6BHE 20 (45 kW)	226
PERFORMANCE CURVE 6BHE 32 (5.5 kW ÷9.3 kW)	227
PERFORMANCE CURVE 6BHE 32 (11 kW ÷18.5 kW)	228
PERFORMANCE CURVE 6BHE 32 (22 kW)	229
PERFORMANCE CURVE 6BHE 32 (30 kW)	230
PERFORMANCE CURVE 6BHE 32 (37 kW)	231
PERFORMANCE CURVE 6BHE 32 (45 kW)	232
PERFORMANCE CURVE 6BHE 32 (55 kW)	233
PERFORMANCE CURVE 6BHE 48 (5.5 kW ÷9.3 kW)	234
PERFORMANCE CURVE 6BHE 48 (11 kW ÷18.5 kW)	235
PERFORMANCE CURVE 6BHE 48 (22 kW)	236
PERFORMANCE CURVE 6BHE 48 (30 kW)	237
PERFORMANCE CURVE 6BHE 48 (37 kW)	238
PERFORMANCE CURVE 6BHE 48 (45 kW)	239
PERFORMANCE CURVE 6BHE 48 (55 kW)	240
PERFORMANCE CURVE 6BHE 64 (5.5 kW ÷9.3 kW)	241
PERFORMANCE CURVE 6BHE 64 (11 kW ÷18.5 kW)	242
PERFORMANCE CURVE 6BHE 64 (22 kW ÷30 kW)	243
PERFORMANCE CURVE 6BHE 64 (37 kW)	244
PERFORMANCE CURVE 6BHE 64 (45 kW)	245

CONTENTS

60Hz

Rev. C

PERFORMANCE CURVE 6BHE 64 (5.5 kW)	246
PERFORMANCE CURVE 8BHE 77	247
PERFORMANCE CURVE 8BHE 95	248
- CONSTRUCTIONS	300
SECTIONAL VIEW 6BHE 13-20	300
SECTIONAL VIEW 6BHE 32-48-64	302
SECTIONAL VIEW 8BHE 77-95	304
- DIMENSIONS AND WEIGHT	400
PUMP 6BHE 13	400
PUMP 6BHE 20	401
PUMP 6BHE 32	402
PUMP 6BHE 48	403
PUMP 6BHE 64	404
PUMP 8BHE 77	405
PUMP 8BHE 95	406
PACKING 6BHE 13	407
PACKING 6BHE 20	408
PACKING 6BHE 32	409
PACKING 6BHE 48	410
PACKING 6BHE 64	411
PACKING 8BHE	412
- TECHNICAL DATA	500
MOTOR DATA	500

6BHE

PUMP			
		Standard version	L version
Liquid Handled	Type of liquid	Clean water	
	Temperature [°C]	min. -5 max. +60	
Maximum working pressure	[MPa]	7	
Construction	Impeller	Closed centrifugal type	
	Bearing	Sleeve type	
Pipe Connection	Discharge [inch]	Rp 2" ½ (6BHE 13-20) Rp 3" (6BHE 32-48-64)	
Material	Discharge Casing	EN 1.4301 (AISI 304)	EN 1.4401 (AISI 316)
	Impeller	EN 1.4301 (AISI 304)	EN 1.4401 (AISI 316)
	Shaft	EN 1.4057 (AISI 431)	EN 1.4401 (AISI 316) + EN 1.4460 (AISI 329)
	Stages	EN 1.4301 (AISI 304)	EN 1.4401 (AISI 316)
	Bracket	EN 1.4301 (AISI 304)	EN 1.4401 (AISI 316)
	Diffuser	EN 1.4301 (AISI 304)	EN 1.4401 (AISI 316)
Applicable standard of test		ISO 9906 – Annex A	

MOTOR						
Type	Submersible oil filled (type OY)			Submersible water filled (type WY)		
	Sumoto			Franklin		
	4"	6"		4"	6"	8"
No. of Poles	2					
Rotation speed [min ⁻¹]	Refer to each characteristic performance rotation speed at rated speed					
Insulation Class	F		B	F		
Protection degree (CEI EN 60034-5)	IP 58			IP 68		
Power rating	[kW]	2.2 ÷ 7.5	4 ÷ 30	0.37 ÷ 7.5	4 ÷ 45	30-150
	[HP]	3.0 ÷ 10	5.5 ÷ 40	3.0 ÷ 10	5.5 ÷ 60	40 ÷ 75
Frequency [Hz]	60					
Start type	Direct on line					
Voltage [V]	380-460 ±10%			460 -10% +6%		
Maximum ambient temperature [°C]	35			30		
Maximum immersion [m]	150			350		
Start / hours	30			20		
Over load protection	User to provide					
Casing material	EN 1.4301 (AISI 304)					
Motor bracket	Cast iron nickel plated			EN 1.4301 (AISI 304)		

SPECIFICATION

60Hz

Rev. C

8BHE

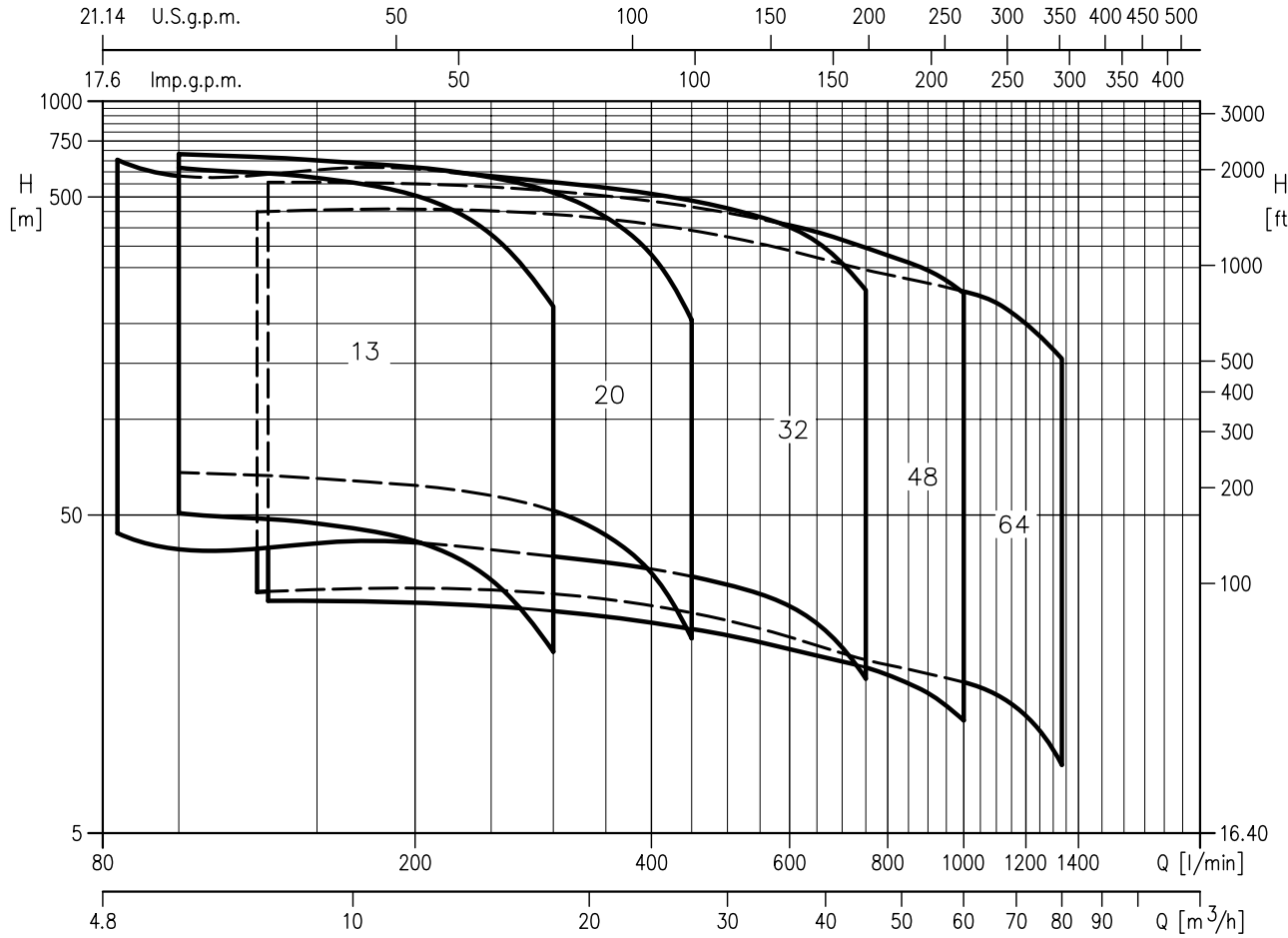
PUMP			
		Standard version	L version
Liquid Handled	Type of liquid	Clean water	
	Temperature [°C]	min. -5 max. +60	
Maximum working pressure [MPa]		7	
Construction	Impeller	Closed centrifugal type	
	Bearing	Sleeve type	
Pipe Connection	Discharge [inch]	Rp 5"	
Material	Discharge Casing	EN 1.4301 (AISI 304)	EN 1.4401 (AISI 316)
	Impeller	EN 1.4401 (AISI 316)	EN 1.4401 (AISI 316)
	Shaft	EN 1.4460 (AISI 329)	EN 1.4460 (AISI 329)
	Stages	EN 1.4301 (AISI 304)	EN 1.4401 (AISI 316)
	Bracket	EN 1.4301 (AISI 304)	EN 1.4401 (AISI 316)
	Diffuser	EN 1.4301 (AISI 304)	EN 1.4401 (AISI 316)
Applicable standard of test		ISO 9906 – Annex A	

MOTOR				
Type	Submersible oil filled (type OY)		Submersible water filled (type WY)	
	Sumoto		Franklin	
	6"		6"	8"
No. of Poles	2			
Rotation speed [min ⁻¹]	Refer to each characteristic performance rotation speed at rated speed			
Insulation Class	F			
Protection degree (CEI EN 60034-5)	IP 58		IP 68	
Power rating	[kW]	7.5 ÷ 30	7.5 ÷ 37	45 ÷ 110
	[HP]	10 ÷ 40	10 ÷ 50	60 ÷ 150
Frequency [Hz]	60			
Start type	Direct on line			
Voltage [V]	380-460 ±10%		460 -10% +6%	
Maximum ambient temperature [°C]	35		30	
Maximum immersion [m]	150		350	
Start / hours	30		20	
Over load protection	User to provide			
Casing material	EN 1.4301 (AISI 304)			
Motor bracket	Cast iron nickel plated		EN 1.4301 (AISI 304)	

SELECTION CHART

60Hz

Rev. C



6BHE 13

Pump type	Size	Power		Q=Capacity											
		[kW]	[HP]	l/min	0	33.5	66.5	100	133.5	166.5	200	233.5	266.5	300	350
				m ³ /h	0	2	4	6	8	10	12	14	16	18	21
H=Total manometric head in meters															
6BHE 13-5	4"	3.7	5	85	83	80.5	78	75	72	69	63.3	56.5	47.5	30	
6BHE 13-6		5.5	7.5	101.5	98.5	95.5	92.5	90	86.5	82.5	76.5	67.5	58.5	37.5	
6BHE 13-7		5.5	7.5	118	115	112	108	105	100.5	96.5	89.5	79	68.5	44	
6BHE 13-8		5.5	7.5	135	131.1	127.2	123.3	120	115	110	102	90	78	50	
6BHE 13-9		7.5	10	152.5	147.5	143	138.5	135	129.5	123	114	103	88	58	
6BHE 13-10		7.5	10	169.5	164.5	159	154	150	144	136.5	126.5	114.5	97.5	64.5	
6BHE 13-11		7.5	10	185	180	175	170	165	159	150	140	125	108	70	
6BHE 13-5	6"	4	5.5	85	83	80.5	78	75	72	69	63.3	56.5	47.5	30	
6BHE 13-6		5.5	7.5	101.5	98.5	95.5	92.5	90	86.5	82.5	76.5	67.5	58.5	37.5	
6BHE 13-7		5.5	7.5	118	115	112	108	105	100.5	96.5	89.5	79	68.5	44	
6BHE 13-8		5.5	7.5	135	131.1	127.2	123.3	120	115	110	102	90	78	50	
6BHE 13-9		7.5	10	152.5	147.5	143	138.5	135	129.5	123	114	103	88	58	
6BHE 13-10		7.5	10	169.5	164.5	159	154	150	144	136.5	126.5	114.5	97.5	64.5	
6BHE 13-11		7.5	10	185	180	175	170	165	159	150	140	125	108	70	
6BHE 13-12		9.3	12.5	203.5	197.5	191	185	180	173	164	152	137.5	117	77.5	
6BHE 13-13		9.3	12.5	220	213	206.5	200	195	188	178	165	149	126.5	85	
6BHE 13-14		11	15	237	230	223	216	210	202	191	177	160.5	136.5	90.5	
6BHE 13-15		11	15	253.5	247	239	232	223.5	216	205	190	170	146.5	96	
6BHE 13-16		11	15	271	263	255	246.5	240	230.5	218.5	202.5	183.5	156	103.5	
6BHE 13-17		11	15	288	279.5	270.5	262	255	245	232	215	195	166	110	
6BHE 13-18		15	20	303.5	295	286	277.5	270	259.5	246	228	205.5	177	117	
6BHE 13-19		15	20	321	312	302.5	293.5	285	275	260	240	216.5	188.5	123.5	
6BHE 13-20		15	20	337	327.5	318	308.5	300	288	273.5	253.5	228.5	196.5	130	
6BHE 13-21		15	20	354	344	334	324	315	302.5	287.5	266.5	240	206.5	136.5	
6BHE 13-22		15	20	371	360.5	350	340	330	316.5	300	280	250	215	142	
6BHE 13-23		18.5	25	387.5	377	366	355	345	331.5	314.5	291.5	263	226	149.5	
6BHE 13-24		18.5	25	405	393.5	381.5	370	360	345	329	305	274	235	156	
6BHE 13-25		18.5	25	421.5	409.5	397.5	385.5	375	360.5	342	317	285.5	245.5	162.5	
6BHE 13-26		18.5	25	440	427	413.5	400	390	375	355	330	296.5	254	169	
6BHE 13-27		18.5	25	455	442	429.5	416.5	405	389	369.5	342.5	308.5	265	175.5	
6BHE 13-28		18.5	25	472	460	446	432	420	403.5	383	355	320	275	182	
6BHE 13-29		22	30	489	475	461.5	447.5	435	418	396.5	367.5	331.5	285	188.5	
6BHE 13-30		22	30	505.5	491.5	477	463	450	432.5	410.5	380.5	343	294.5	195	
6BHE 13-31		22	30	522.5	507.5	493	478.5	465	446.5	424	393	354.5	304.5	201.5	
6BHE 13-32		22	30	539.5	524.5	509	493.5	480	461	437.5	405.5	365.5	314.5	208	
6BHE 13-33		30	40	556.5	540	525	509	495	475.5	451.5	418.5	377	324	214.5	
6BHE 13-34		30	40	573	556.5	540.5	524.5	510	490	465	431	388.5	334	221	
6BHE 13-35		30	40	590	573	556.5	540	525	504.5	479	444	400	344	227.5	
6BHE 13-36		30	40	607	590	572.5	555.5	540	519	492.5	456.5	411.5	353.5	234	
6BHE 13-37	30	40	623.5	606	588.5	571	555	533	506	469	423	363.5	240.5		
6BHE 13-38	30	40	640.5	622.5	604.5	586.5	570	547.5	520	482	434.5	373	247		
6BHE 13-39	30	40	657.5	639	620	601.5	585	562	533.5	494.5	445.5	383	253.5		
6BHE 13-40	30	40	674.5	655.5	636	617	600	576.5	547	507	457	393	260		
6BHE 13-41	30	40	691	671.5	652	632.5	615	591	561	520	468.5	402.5	266.5		
6BHE 13-42	30	40	708	688	668	648	630	605.5	574.5	532.5	480	412.5	273		

6BHE 20

Pump type	Size	Power		Q=Capacity											
		[kW]	[HP]	l/min	0	100	150	200	250	300	350	400	450	500	533.5
				m³/h	0	6	9	12	15	18	21	24	27	30	32
H=Total manometric head in meters															
6BHE 20-3	4"	3	4	51	49.5	48	46.5	45	42	38	34	29	22	16.5	
6BHE 20-4		5.5	7.5	68	66.5	65	63.5	60	56	52	46.5	39	30.5	23	
6BHE 20-5		5.5	7.5	85	83	81	79.5	75	70	65	58	49	38	29	
6BHE 20-6		7.5	10	101,5	99	97	95	91.5	85.5	78	69.5	59	45.5	35.5	
6BHE 20-7		7.5	10	120	116.5	113	110	106	100	90	80	69	52	40	
6BHE 20-3		4	5.5	51	49.5	48	46.5	45	42	38	34	29	22	16.5	
6BHE 20-4		5.5	7.5	68	66.5	65	63.5	60	56	52	46.5	39	30.5	23	
6BHE 20-5	5.5	7.5	85	83	81	79.5	75	70	65	58	49	38	29		
6BHE 20-6	7.5	10	101,5	99	97	95	91.5	85.5	78	69.5	59	45.5	35.5		
6BHE 20-7	7.5	10	120	116.5	113	110	106	100	90	80	69	52	40		
6BHE 20-8	6"	9.3	12.5	135,5	132	130	127	122	114	104	93	79	60.5	47.5	
6BHE 20-9		9.3	12.5	154	149.5	145	141	135	128	116.5	104	87	68	52.5	
6BHE 20-10		11	15	169,5	165.5	162	158.5	152.5	142.5	130	116	98.5	75.5	59.5	
6BHE 20-11		11	15	190	184.5	179	173.5	165	156	143.5	128	108	83.5	65	
6BHE 20-12		15	20	203	198.5	194.5	190.5	183	171	156	139	118.5	91	71	
6BHE 20-13		15	20	223.5	217	211	205	196.5	185	170	150	126.5	99	76.5	
6BHE 20-14		15	20	237	232	227	222	213.5	199.5	182	162.5	138	106	83	
6BHE 20-15		15	20	254	248.5	243	238	228.5	213.5	195	174	148	113.5	89	
6BHE 20-16		18.5	25	275	267.5	260	252.5	242	227.5	208.5	185.5	156.5	120.5	95	
6BHE 20-17		18.5	25	292	284	276.5	268.5	257	241.5	221.5	197.5	166	128	101	
6BHE 20-18		18.5	25	310	301.5	292.5	283.5	270	256	235	210	175	136.5	106	
6BHE 20-19		22	30	326.5	317.5	309	300	287.5	270	247.5	220.5	185.5	143	112.5	
6BHE 20-20		22	30	343.5	334	324.5	315.5	302.5	284.5	260.5	232	195.5	150.5	118.5	
6BHE 20-21		22	30	361	351	341.5	331.5	317.5	298.5	274	244	205	158.5	124.5	
6BHE 20-22		22	30	379	368.5	358	348	331	312	286.5	255	215	165	130	
6BHE 20-23		30	40	395	384	373.5	363	348	327	300	267	224.5	173.5	136.5	
6BHE 20-24		30	40	412.5	401.5	390	379	363	341	313	278.5	234.5	181	142.5	
6BHE 20-25		30	40	429.5	417.5	406	394.5	378	355.5	326	290	244	188.5	148	
6BHE 20-26		30	40	448	435	422.5	410	393.5	370	339	300	255	197	152.5	
6BHE 20-27		30	40	464	451	438.5	426	408.5	384	352	313.5	263.5	203.5	160	
6BHE 20-28		30	40	481	468	455	442	423.5	398	365	325	273.5	211	166	
6BHE 20-29		30	40	498	485	471.5	458	438.5	412	378	336.5	283.5	218.5	172	
6BHE 20-30		30	40	515.5	501.5	487.5	473.5	454	426.5	391	348	293	226	178	
6BHE 20-31		37	50	532.5	518	503.5	489.5	469	440.5	404	360	303	233.5	184	
6BHE 20-32		37	50	549.5	534.5	520	505	484	455	417	371.5	312.5	241	189.5	
6BHE 20-33		37	50	567	551.5	536	521	499	469	430	383	322.5	248.5	195.5	
6BHE 30-34		37	50	584	568	552	536.5	514.5	483.5	443	394.5	332	256	201.5	
6BHE 30-35		37	50	601.5	585	574	552.5	529.5	497.5	456.5	406.5	342	264	207.5	
6BHE 20-36		37	50	618.5	602	585.5	568.5	544.5	511.5	469.5	418	351.5	271.5	213.5	
6BHE 20-37		45	60	635.5	618.5	601	584	559.5	526	482.5	429.5	361.5	279	219.5	
6BHE 20-38		45	60	653	636	616	600	575	540	495.5	441	371	286.5	225.5	
6BHE 20-39		45	60	670	652	634	615.5	590	554.5	508.5	452.5	381	294	231	
6BHE 20-40		45	60	687	669	650	631.5	605	568.5	521.5	464.5	390.5	301.5	237	
6BHE 20-41		45	60	704.5	685	666	647	620	583	534.5	476	400.5	309	243	
6BHE 20-42	45	60	721.5	700	681.5	663	635.5	597	547.5	487.5	410.5	316.5	249		

SELECTION CHART

60Hz

Rev. C

6BHE 32

Pump type	Size	Power		Q=Capacity											
				l/min	0	83.5	166.5	250	333.5	416.5	500	583.5	666.5	750	833.5
		[kW]	[HP]	m ³ /h	0	5	10	15	20	25	30	35	40	45	50
H=Total manometric head in meters															
6BHE 32-3	4"	5.5	7.5	67.4	64.3	61	58	55.2	51.9	48.6	45.2	41.1	35.9	29.3	21.4
6BHE 32-4		7.5	10	90.5	86.5	82.4	78.3	74.2	69.7	65.3	60.8	55.3	48.4	39.7	29.1
6BHE 32-3	6"	5.5	7.5	67.4	64.3	61	58	55.2	51.9	48.6	45.2	41.1	35.9	29.3	21.4
6BHE 32-4		7.5	10	90.5	86.5	82.4	78.3	74.2	69.7	65.3	60.8	55.3	48.4	39.7	29.1
6BHE 32-5		9.3	12.5	114.5	109.4	104.3	99	94	88.4	83	77.5	70.7	62.2	51.4	38.4
6BHE 32-6		11	15	136.9	130.8	124.7	118.6	112.4	105.7	99.2	92.5	84.4	74.1	61.1	45.5
6BHE 32-7		15	20	160.6	153.4	146.2	139	131.9	124.1	116.5	108.8	99.4	87.4	72.4	54.3
6BHE 32-8		15	20	182.1	173.9	165.8	157.6	149.5	140.5	131.8	122.8	112	98.1	80.9	59.9
6BHE 32-9		18.5	25	206.3	197.1	187.9	178.7	169.5	159.4	149.6	139.6	127.5	112.1	92.7	69.4
6BHE 32-10		18.5	25	227.8	217.6	207.4	197.2	187	175.8	164.8	153.6	140	122.8	101.2	75
6BHE 32-11		22	30	250.5	239.6	228.3	216.9	205.6	193.3	181.2	168.9	153.9	134.8	111	82.2
6BHE 32-12		22	30	271.7	259.7	247.4	235.1	222.8	209.3	196	182.4	165.9	145	118.9	87.2
6BHE 32-13		30	40	299.9	286.6	273.2	259.9	246.6	232.1	218.2	203.9	186.6	164.6	136.8	103.5
6BHE 32-14		30	40	321.8	307.6	293.2	278.8	264.5	248.9	233.9	218.4	199.7	175.9	145.9	109.8
6BHE 32-15		30	40	343.6	328.6	313.3	298	282.3	265.6	249.4	232.8	212.6	187	154.8	116
6BHE 32-16		30	40	365.2	348.7	332.4	316.1	299.9	282.1	264.7	247	225.4	197.9	163.5	121.9
6BHE 32-17		37	50	389.5	372.5	355	338	320	301.1	282.7	263.8	240.9	211.8	175.2	131.2
6BHE 32-18		37	50	411.2	392.6	374.3	356	337.6	317.5	297.9	277.9	253.5	222.6	183.7	136.9
6BHE 32-19		37	50	432.6	413.5	394	374.5	355.1	333.9	313.1	291.8	266	233.1	192	142.3
6BHE 32-20		37	50	453.9	433.6	413.2	393	372.4	350	328	305.5	278.1	243.4	200	147.4
6BHE 32-21		45	60	481.4	459.6	438.2	416.4	395.5	372.1	349.4	326.2	298	262.2	217.1	162.8
6BHE 32-22		45	60	503	480.5	458	435.5	413.1	388.6	364.8	340.5	310.9	273.2	225.9	168.8
6BHE 32-23	45	60	524.6	501.4	477.8	454.2	430.7	405.1	380.1	354.6	323.5	284	234.5	174.5	
6BHE 32-24	45	60	546.1	521.5	497.1	472.6	448.2	421.4	395.3	368.6	336.1	294.7	242.9	180.1	
6BHE 32-25	8"	55	75	583.7	558.2	532.2	506.4	480.7	453	426.8	399.5	366.9	325.2	272.3	209.3
6BHE 32-26		55	75	606.3	579.3	551.7	525.4	499.2	470.4	443.1	414.7	380.8	337.3	282.3	216.6
6BHE 32-27		55	75	628.8	601.2	573.4	545.5	517.7	487.8	459.4	429.9	394.6	349.4	292.2	223.9
6BHE 32-28		55	75	651.3	622.3	593.5	564.8	536.1	505.1	475.6	445	408.3	361.4	302	231

SELECTION CHART

60Hz

Rev. C

6BHE 48

Pump type	Size	Power		Q=Capacity																	
		[kW]	[HP]	l/min	0	83.5	166.5	250	333.5	416.5	500	583.5	666.5	750	833.5	916.5	1000	1083.5	1166.5	1250	
				m³/h	0	5.0	10.0	15.1	20	25.1	30.1	35	40.2	45	50	55	60	65	70	75	
H=Total manometric head in meters																					
6BHE 48-2	4"	5.5	7.5	38.9	38.1	37.2	36.3	35.5	34.6	33.7	31.6	29.6	28.1	26.3	24.6	22.6	20.7	18.1	15.5		
6BHE 48-3		7.5	10	57.9	56.6	55.3	54	52.7	51.3	50	46.9	44	41.7	39	36.5	33.5	30.7	26.7	22.8		
6BHE 48-2	6"	5.5	7.5	38.9	38.1	37.2	36.3	35.5	34.6	33.7	31.6	29.6	28.1	26.3	24.6	22.6	20.7	18.1	15.5		
6BHE 48-3		7.5	10	57.9	56.6	55.3	54	52.7	51.3	50	46.9	44	41.7	39	36.5	33.5	30.7	26.7	22.8		
6BHE 48-4		9.3	12.5	78.1	76.3	74.6	72.8	71.1	69.4	67.6	63.5	59.5	56.4	52.9	49.4	45.5	41.7	36.4	31.2		
6BHE 48-5		11	15	97.1	94.9	92.7	90.5	88.3	86.1	83.8	78.7	73.8	69.9	65.5	61.2	56.3	51.5	44.9	38.4		
6BHE 48-6		15	20	117.8	115.2	112.7	110.2	107.6	105.1	102.5	96.6	90.9	85.6	79.5	73.2	67.5	62.6	56.4	48.3		
6BHE 48-7		15	20	136.1	133.10	131.0	127.1	124.1	121.1	118	111.5	104.5	98.4	91.2	83.9	77.5	71.7	64.5	54.8		
6BHE 48-8		18.5	25	156.6	153.2	149.8	146.3	142.9	139.4	136	128.6	120.6	113.6	105.4	97	89.5	82.9	74.7	63.8		
6BHE 48-9		18.5	25	174.7	170.8	166.9	163	159.1	155.2	151.4	143	134	126.2	117	107.6	99.4	91.9	82.6	70.1		
6BHE 48-10		22	30	193.9	189.5	185.2	180.8	176.5	172.1	167.8	158.5	148.6	139.9	129.6	119.3	110.1	101.7	91.5	77.6		
6BHE 48-11		22	30	211.6	206.8	202	197.1	192.3	187.4	182.6	172.5	161.6	152.1	140.7	129.4	119.6	110.2	99	83.4		
6BHE 48-12		30	40	236.2	231.1	226	221	215.9	210.9	205.8	194.6	182.5	171.9	159.8	147	135.6	125.9	113.5	97.5		
6BHE 48-13		30	40	254.7	249.2	243.7	238.2	232.7	227.1	221.6	209.5	196.5	185.1	171.9	158.1	145.9	135.3	121.9	104.3		
6BHE 48-14		30	40	273.1	267.1	261.1	255.1	249.1	243.1	237.3	224.2	210.2	198	183.7	169	156	144.5	130.1	110.9		
6BHE 48-15		37	50	293.7	287.3	280.9	274.5	268.1	261.7	255.3	241.3	226.3	213.1	197.9	182	168	155.7	140.3	119.9		
6BHE 48-16		37	50	312	305.1	298.2	291.3	284.4	277.5	270.7	255.9	239.9	225.9	209.5	192.8	177.9	164.7	148.3	126.3		
6BHE 48-17		37	50	330.1	322.7	315.4	308	300.7	293.3	286	270.2	253.2	238.5	221	203.3	187.7	173.5	156.1	132.5		
6BHE 48-18		37	50	348	340.1	332.3	324.4	316.6	308.7	300.9	284.3	266.4	250.8	232.2	213.7	197.3	182.1	163.7	138.5		
6BHE 48-19		45	60	371.6	363.5	355.4	347.3	339.2	331.2	323.1	305.4	286.4	269.8	250.5	230.4	212.6	197.1	177.5	151.6		
6BHE 48-20		45	60	390	381.4	372.9	364.3	355.5	347.1	338.7	320.1	300.1	282.7	262.3	241.3	222.6	206.2	185.7	158.2		
6BHE 48-21		45	60	408.2	399.9	390.8	381.7	372.5	363.3	354.2	334.6	313.7	295.4	273.9	252	232.6	215.2	193.7	164.6		
6BHE 48-22	45	60	426.3	416.8	407.3	397.8	388.3	378.9	369.4	349	327.1	308	285.4	262.6	242.4	224	201.5	170.8			
6BHE 48-23	8"	55	75	459.6	450.1	440.6	431.1	421.5	412	402.4	380.7	357.4	336.9	314	288.8	266.4	248.3	224.3	194.7		
6BHE 48-24		55	75	478.8	468.8	458.8	448.9	438.9	429	419	396.4	372.1	350.7	326.8	300.6	277.3	258.3	233.3	202.3		
6BHE 48-25		55	75	497.9	487.5	477.1	466.7	456.3	445.9	435.5	412	386.7	364.5	339.5	312.3	288.1	268.3	242.2	209.8		
6BHE 48-26		55	75	517	506.2	495.4	484.6	473.7	462.9	452	427.6	401.3	378.2	352.2	329.9	298.8	278.2	251.1	217.3		

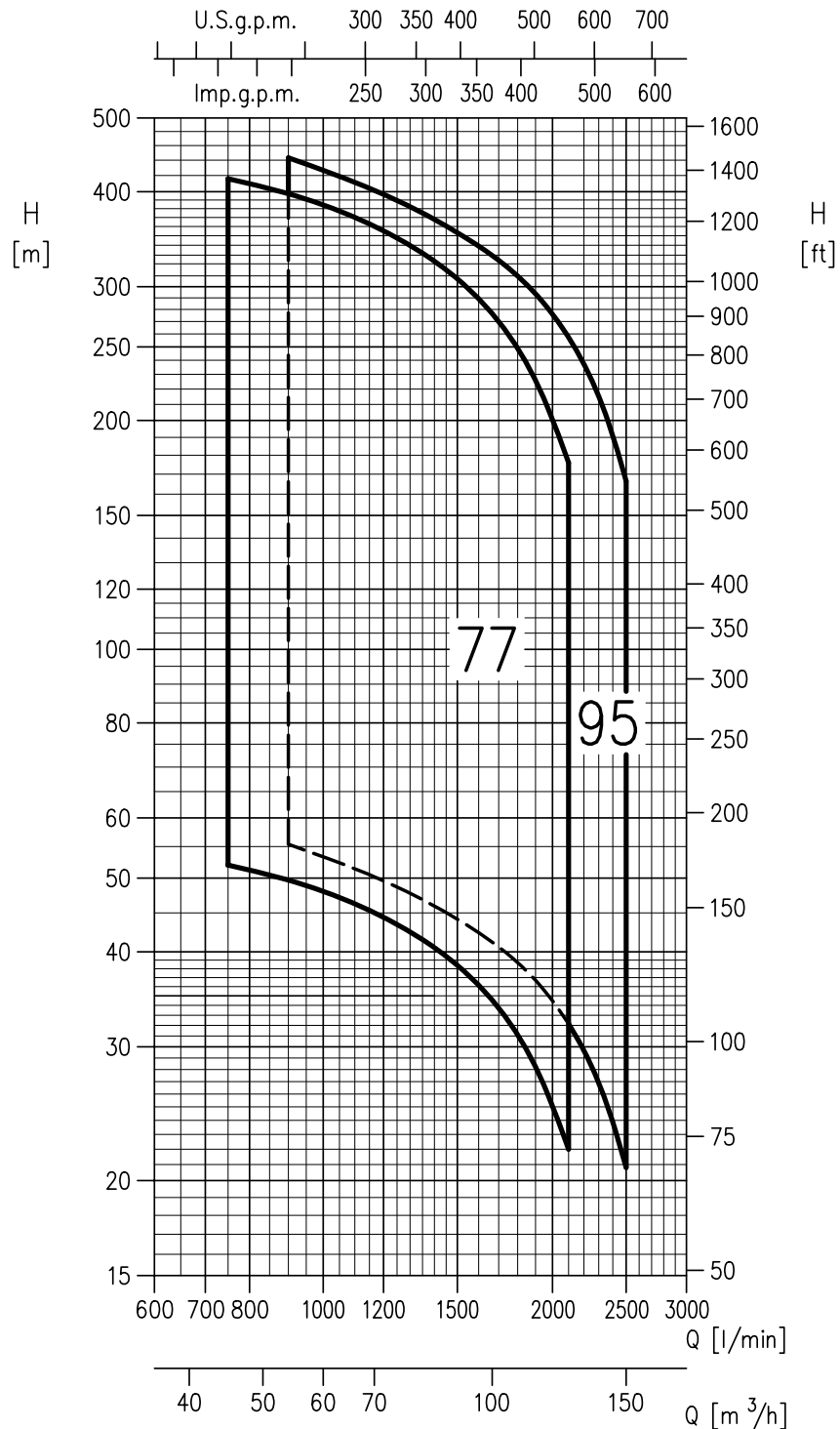
SELECTION CHART

60Hz

Rev. C

6BHE 64

Pump type	Size	Power		Q=Capacity																	
				l/min	0	333.5	146.5	500	583.5	666.5	750	833.5	916.5	1000	1083.5	1166.5	1250	1333.5	1416.5	1500	1666.5
		m ³ /h	0	20.1	8.8	30.1	35	40.2	45.2	50	55.2	60.2	65.3	70.3	75.3	80.3	85.3	90.4	100.4		
[kW] [HP]		H=Total manometric head in meters																			
6BHE64-2	4"	5.5	7.5	39	37.4	35.8	34.2	32.6	31	29.4	27.3	25.3	24.5	23.8	22.7	22	20.3	18.4	15.9	10	
6BHE 64-3		9.3	12.5	59.6	57.3	54.9	52.6	50.2	47.9	45.5	42.1	39.2	37.6	36.7	35	34	31.7	28.9	25.2	16.9	
6BHE 64-4		11	15	78.8	75.6	72.4	69.3	66.1	63	59.8	55.4	51.5	49.6	48.2	46	44.7	41.3	37.6	32.6	21.3	
6BHE 64-5		15	20	97.8	94.1	90.4	86.7	83	79.3	75.5	70.7	66.5	63.7	61.1	58.5	55.9	52	46.6	41.1	27.8	
6BHE 64-6		15	20	116.1	111.6	107.1	102.6	98.1	93.6	89	83.3	78.3	75.1	72	68.8	65.6	60.7	54.3	47.7	31.4	
6BHE 64-7		18.5	25	136.2	130.9	125.6	120.4	115.1	109.9	104.6	97.9	92.1	88.3	84.7	81	77.3	71.7	64.1	56.4	37.6	
6BHE 64-8		22	30	155.2	149.2	143.2	137.2	131.1	125.1	119	111.4	104.7	100.4	96.3	92	87.8	81.2	72.7	63.9	42.2	
6BHE 64-9		30	40	177.4	170.8	164.2	157.6	150.9	144.3	137.6	128.7	121.1	115.9	111.5	106.6	102	95.2	85.6	75.6	52.2	
6BHE 64-10		30	40	196.1	188.7	181.3	173.9	166.5	159.1	151.7	141.9	133.5	127.9	122.8	117.5	112.3	104.6	93.9	82.8	56.5	
6BHE 64-11		30	40	214.7	206.5	198.3	190.1	181.9	173.7	165.5	154.9	145.7	139.6	134	128.1	122.4	113.8	102	89.8	60.5	
6BHE 64-12		37	50	234.7	225.8	216.9	208	199	190.1	181.1	169.5	159.4	152.8	146.7	140.2	134	124.6	111.7	98.5	66.6	
6BHE 64-13		37	50	253.2	243.5	233.7	224	214.2	204.5	194.7	182.3	171.4	164.3	157.6	150.7	143.8	133.5	119.5	105.2	70.3	
6BHE 64-14		37	50	271.4	260.8	250.2	239.7	229.1	218.6	208	194.8	183.1	175.6	168.3	160.9	153.5	142	127	111.6	73.7	
6BHE 64-15		45	60	293.3	282.2	271.1	260	248.8	237.7	226.5	211.9	199.3	191	183.4	175.3	167.5	155.9	139.8	123.2	83.4	
6BHE 64-16		45	60	311.8	299.9	288	276	264.1	252.2	240.2	224.8	211.4	202.7	194.5	186	177.6	164.9	147.7	130.1	87.3	
6BHE 64-17		45	60	330.1	317.4	304.7	292	279.2	260.5	253.7	237.5	223.3	214.2	205.4	196.4	187.4	173.8	155.5	136.8	90.9	
6BHE 64-18		45	60	348.3	334.8	321.3	308.1	294.4	280.8	267.1	250.1	235.1	225.6	216.2	206.7	197.1	182.4	163.1	143.3	94.4	
6BHE 64-19		55	75	377.9	364.1	350.3	336.5	322.6	309.4	294.9	275.9	259.7	248.2	239	228.5	218.9	205.3	185	164	115.8	
6BHE 64-20		8"	55	75	397.1	382.5	367.9	353.3	338.7	324.2	309.6	289.6	272.5	260.6	250.8	239.8	229.7	215.3	193.9	171.8	120.8
6BHE 64-21			55	75	416.2	400.9	385.5	370.2	354.8	339.5	324.1	303.2	285.3	272.9	262.6	251.1	240.4	225.2	202.7	179.5	125.6



8BHE 77

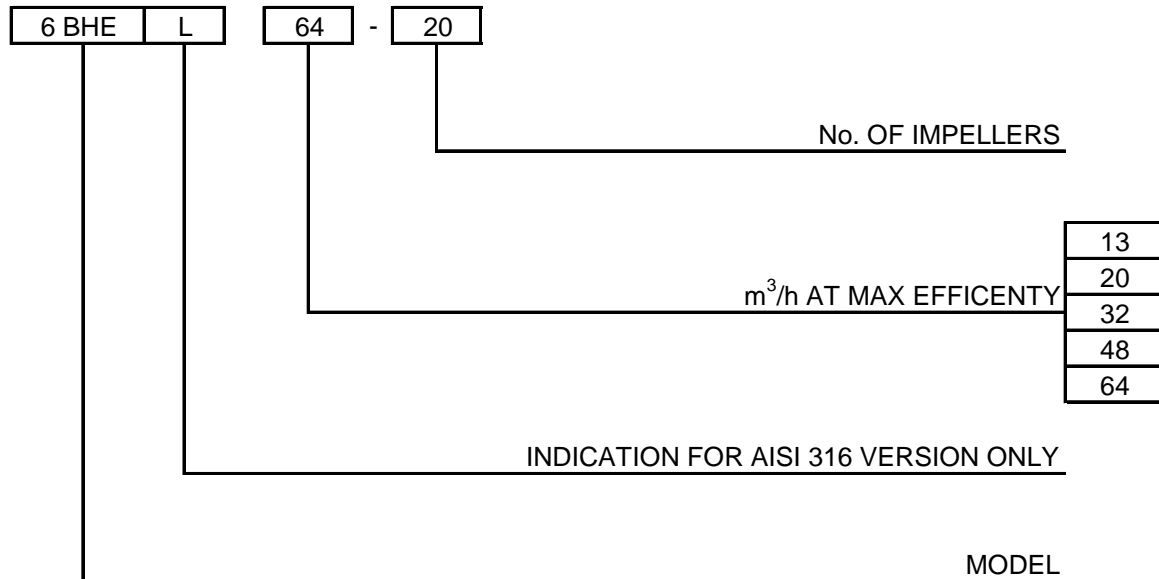
Pump type	size	Motor Power		Q = Capacity									
		[kW]	[HP]	l/min	0	750	900	1200	1500	1800	2100	2300	2500
				m ³ /h	0	45	54	72	90	108	126	138	150
H=Total manometric head in meters													
86BHE77-2	6"	11	15		58.5	52.0	49.5	44.5	38.4	31.1	22.0	-	-
86BHE77-3		18.5	25		87.5	78.0	74.5	66.5	57.5	46.5	33.0	-	-
86BHE77-4		22	30		117	104	99.5	89.0	77.0	62.0	44.0	-	-
86BHE77-5		30	40		146	130	124	111	96.0	78.0	55.0	-	-
86BHE77-6		37	50		175	156	149	133	115	93.5	66.0	-	-
86BHE77-7		37	50		204	182	174	155	134	109	77.0	-	-
8BHE77-8		45	60		234	208	199	178	154	124	88.0	-	-
8BHE77-9		8"	55	75		263	234	224	200	173	140	99.0	-
8BHE77-10	55		75		292	260	249	222	192	156	110	-	-
8BHE77-11	75		100		321	286	273	244	211	171	121	-	-
8BHE77-12	75		100		350	312	298	266	230	187	132	-	-
8BHE77-13	75		100		380	338	323	289	250	202	143	-	-
8BHE77-14	93		125		409	364	348	311	269	218	154	-	-
8BHE77-15	93		125		438	390	373	333	288	233	165	-	-
8BHE77-16	93		125		467	416	398	355	307	249	176	-	-

8BHE 95

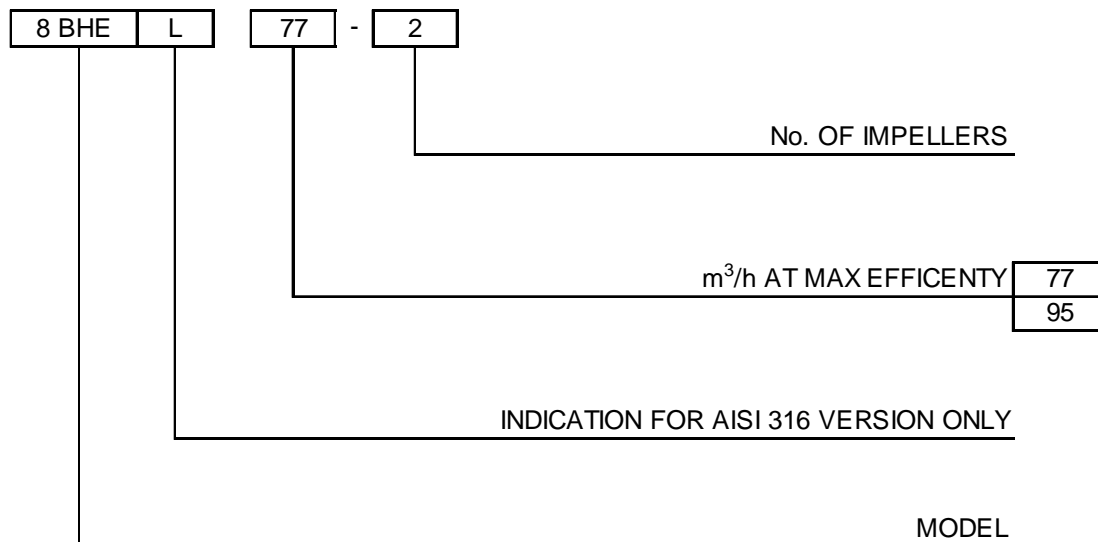
Pump type	size	Motor		Q = Capacity									
		[kW]	[HP]	l/min	0	750	900	1200	1500	1800	2100	2300	2500
				m ³ /h	0	45	54	72	90	108	126	138	150
H=Total manometric head in meters													
86BHE95-2	6"	15	20		63.0	-	55.5	49.5	44.0	38.7	32.2	26.9	20.8
86BHE95-3		22	30		95.0	-	83.0	74.5	66.0	58.0	48.0	40.5	31.2
86BHE95-4		30	40		126	-	111	99.0	88.5	77.5	64.5	54.0	41.5
86BHE95-5		37	50		158	-	139	124	110	97.0	80.5	67.5	52.0
86BHE95-6		37	50		190	-	166	149	133	116	96.5	80.5	62.5
8BHE95-7		45	60		221	-	194	174	155	136	113	94.0	73.0
8BHE95-8	8"	55	75		253	-	221	198	177	155	129	108	83.0
8BHE95-9		75	100		284	-	249	223	199	174	145	121	94.0
8BHE95-10		75	100		316	-	277	248	221	194	161	135	104
8BHE95-11		75	100		348	-	305	273	243	213	177	148	114
8BHE95-12		93	125		379	-	332	298	265	232	193	161	125
8BHE95-13		93	125		411	-	360	322	287	252	209	175	135
8BHE95-14		93	125		442	-	388	347	309	271	225	188	146
8BHE95-15		110	150		474	-	416	372	331	290	241	202	156
8BHE95-16		110	150		506	-	443	397	353	310	257	215	166

TYPE KEY

6BHE



8BHE



PERFORMANCE CURVE SPECIFICATIONS

The specifications below qualify the curves shown on the following pages.

Tolerances according to ISO 9906 Annex A

The curves refer to effective speed of asynchronous motors at 50 Hz

Measurements were carried out with clean water at 20°C of temperature and with a kinematic viscosity of $\nu = 1 \text{ mm}^2/\text{s}$ (1 cSt)

The NPSH curve is an average curve obtained in the same conditions of performance curves.

The continuous curves indicate the recommended working range. The dotted curve is only a guide.

In order to avoid the risk of over-heating, the pumps should not be used at a flow rate below 10% of best efficiency point.

Symbols explanation:

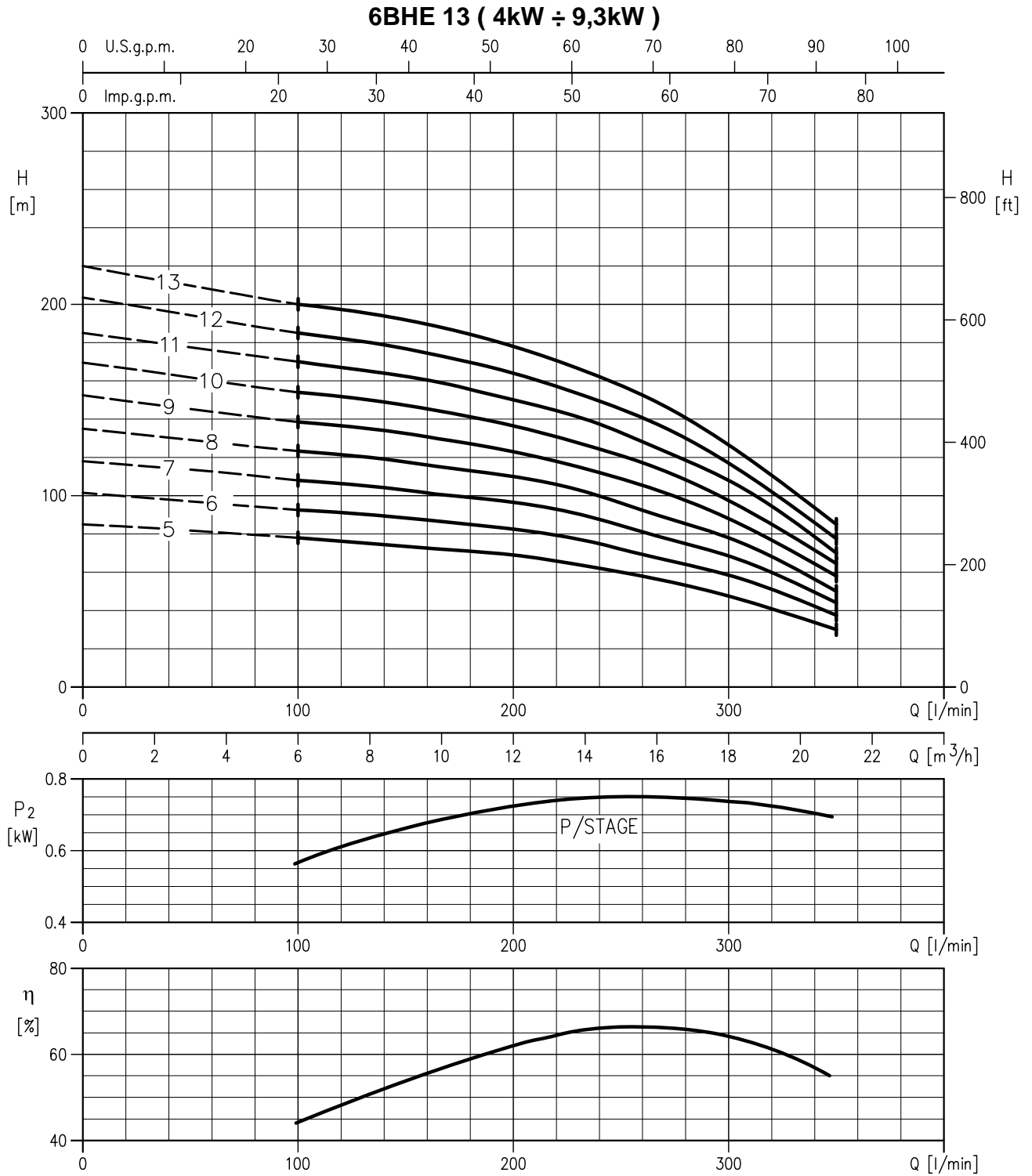
Q = volume flow rate

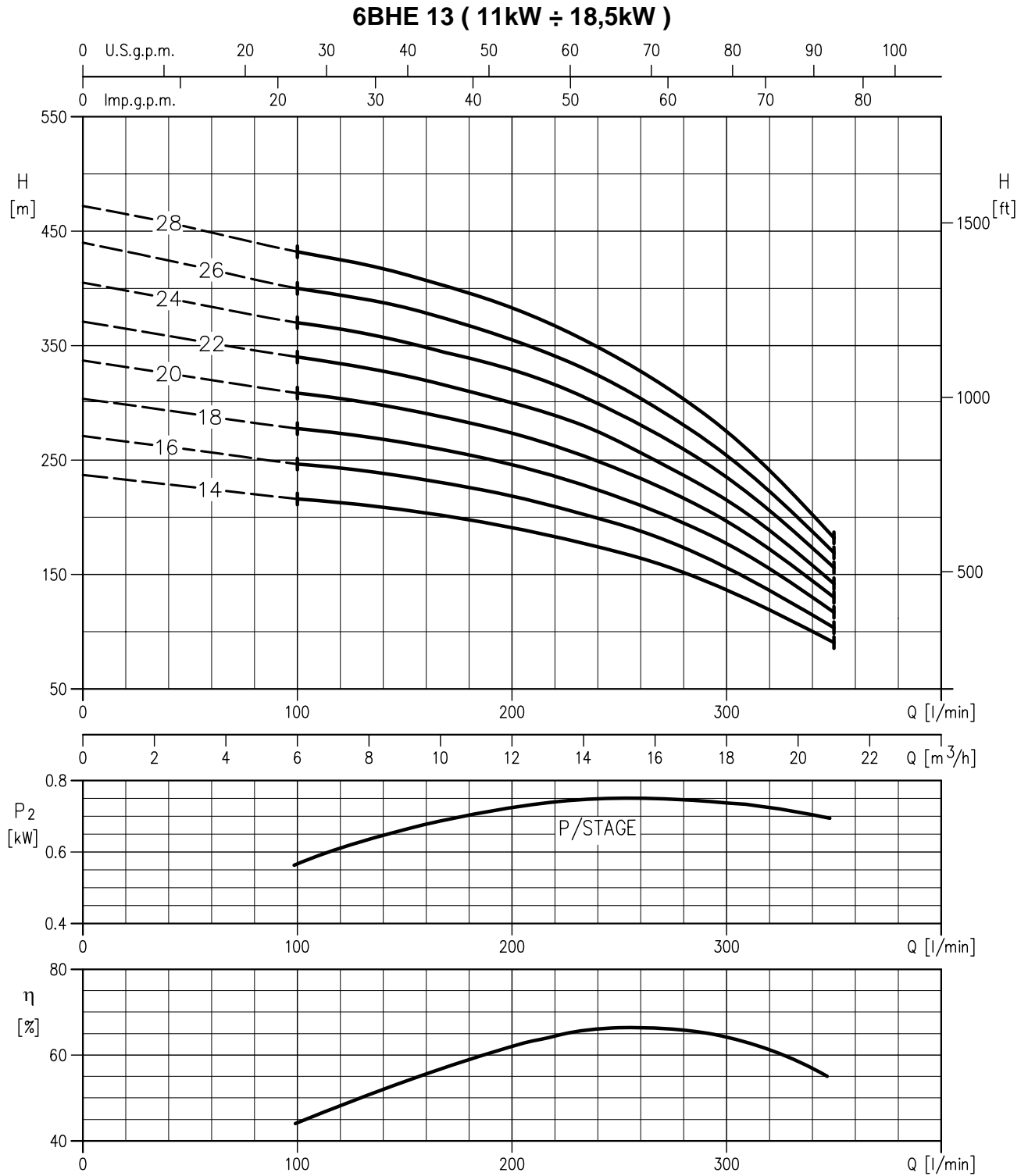
H = total head

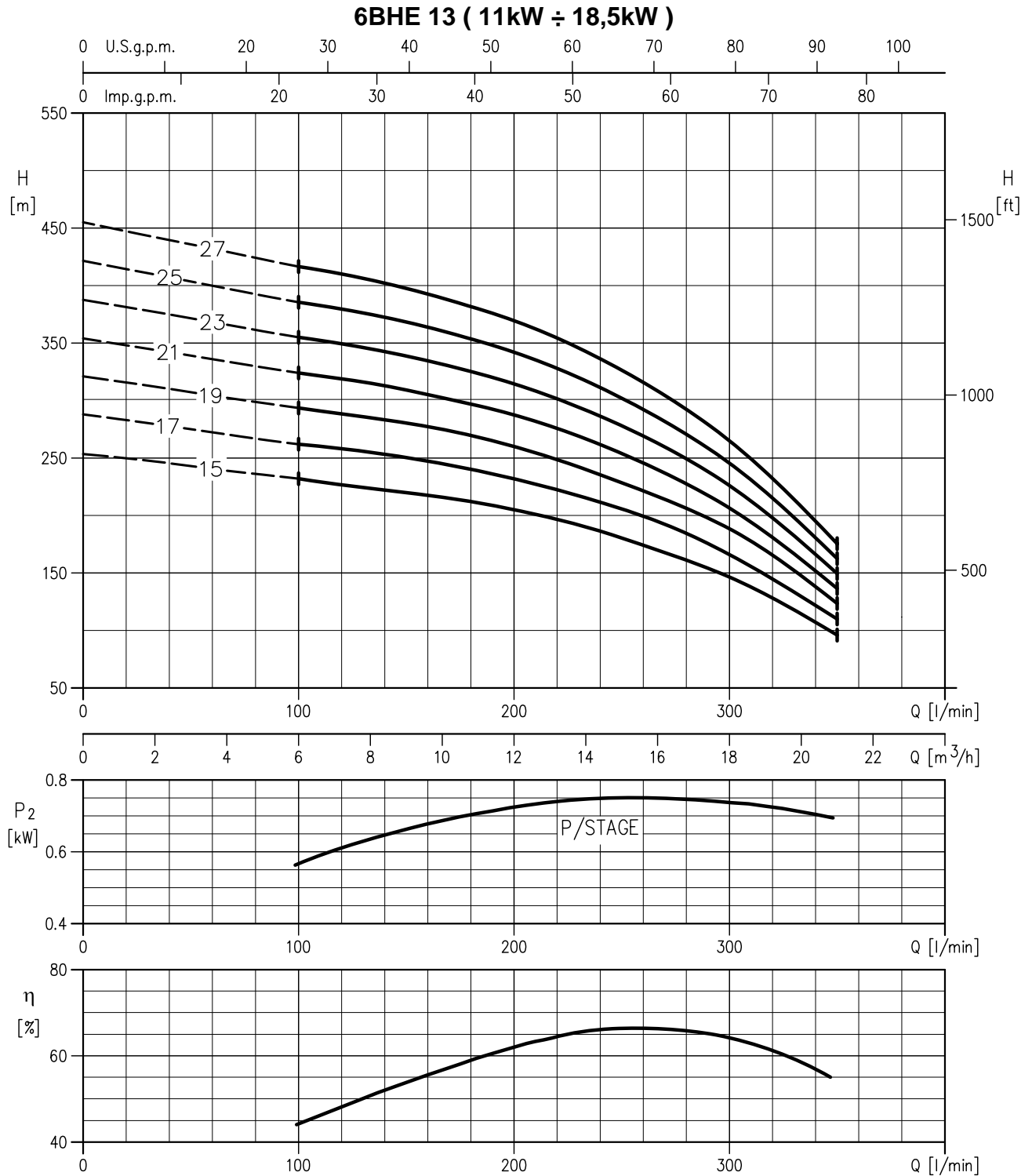
P_2 = pump power input (shaft power)

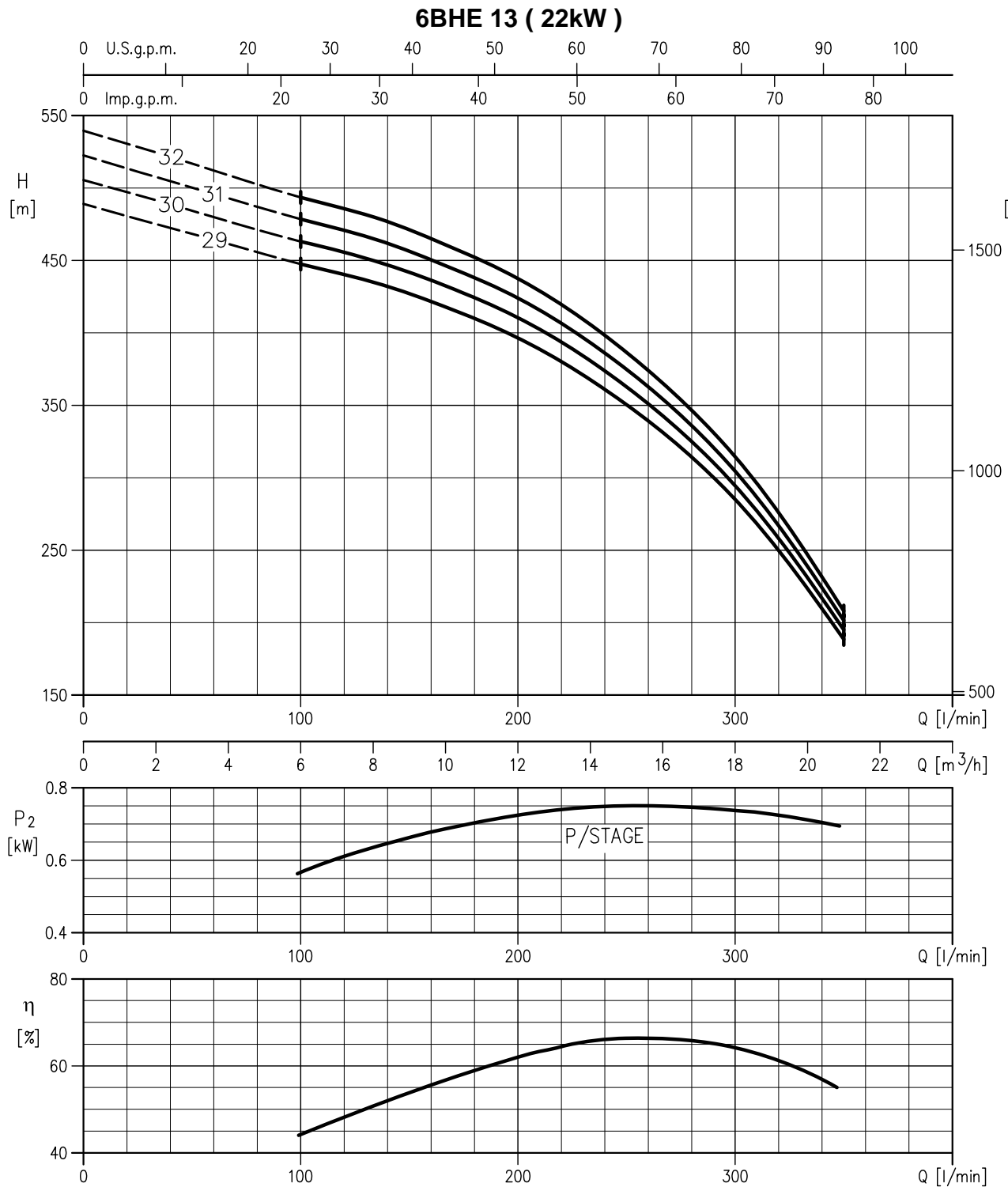
η = pump efficiency

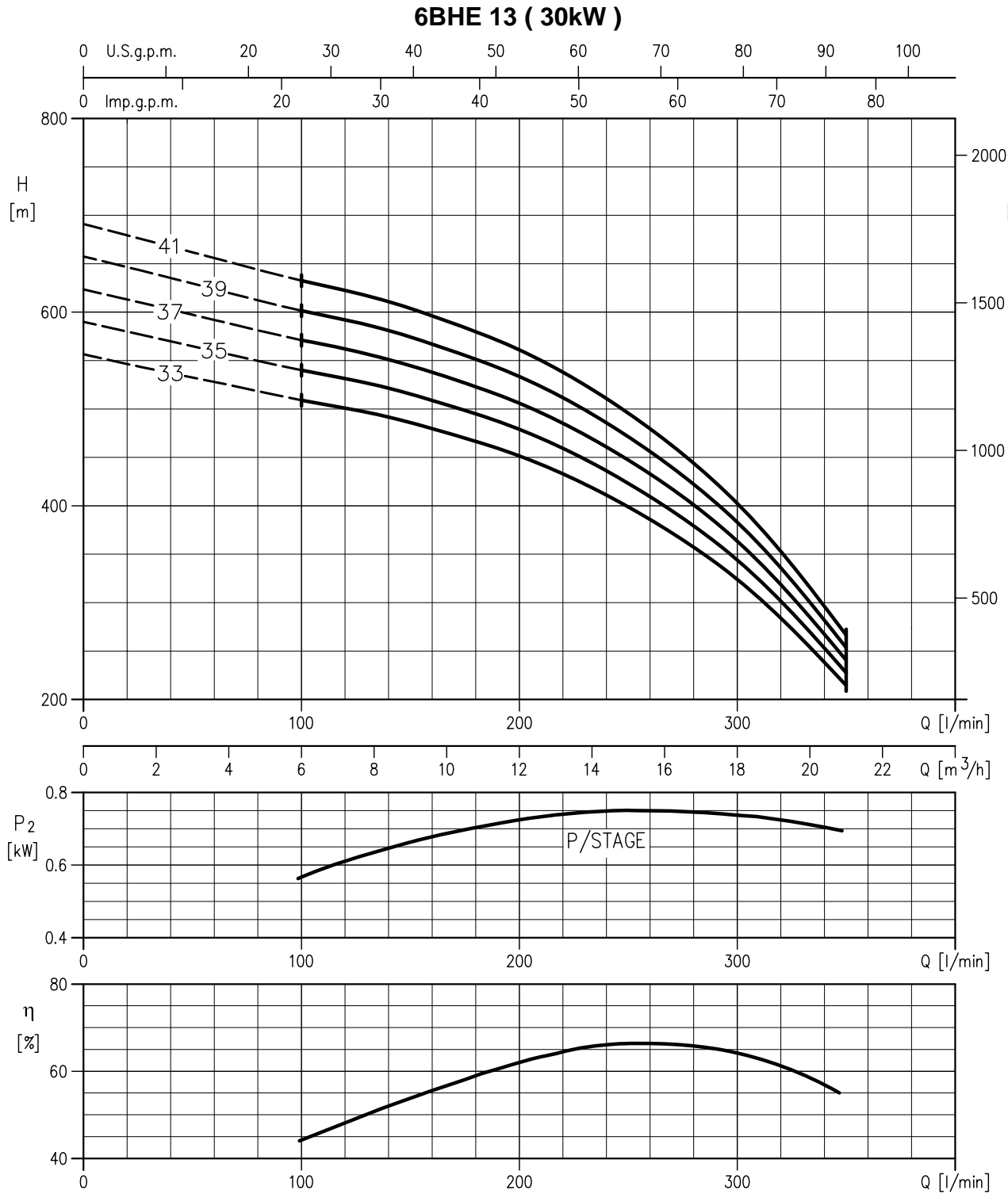
NPSH = net positive suction head required by the pump

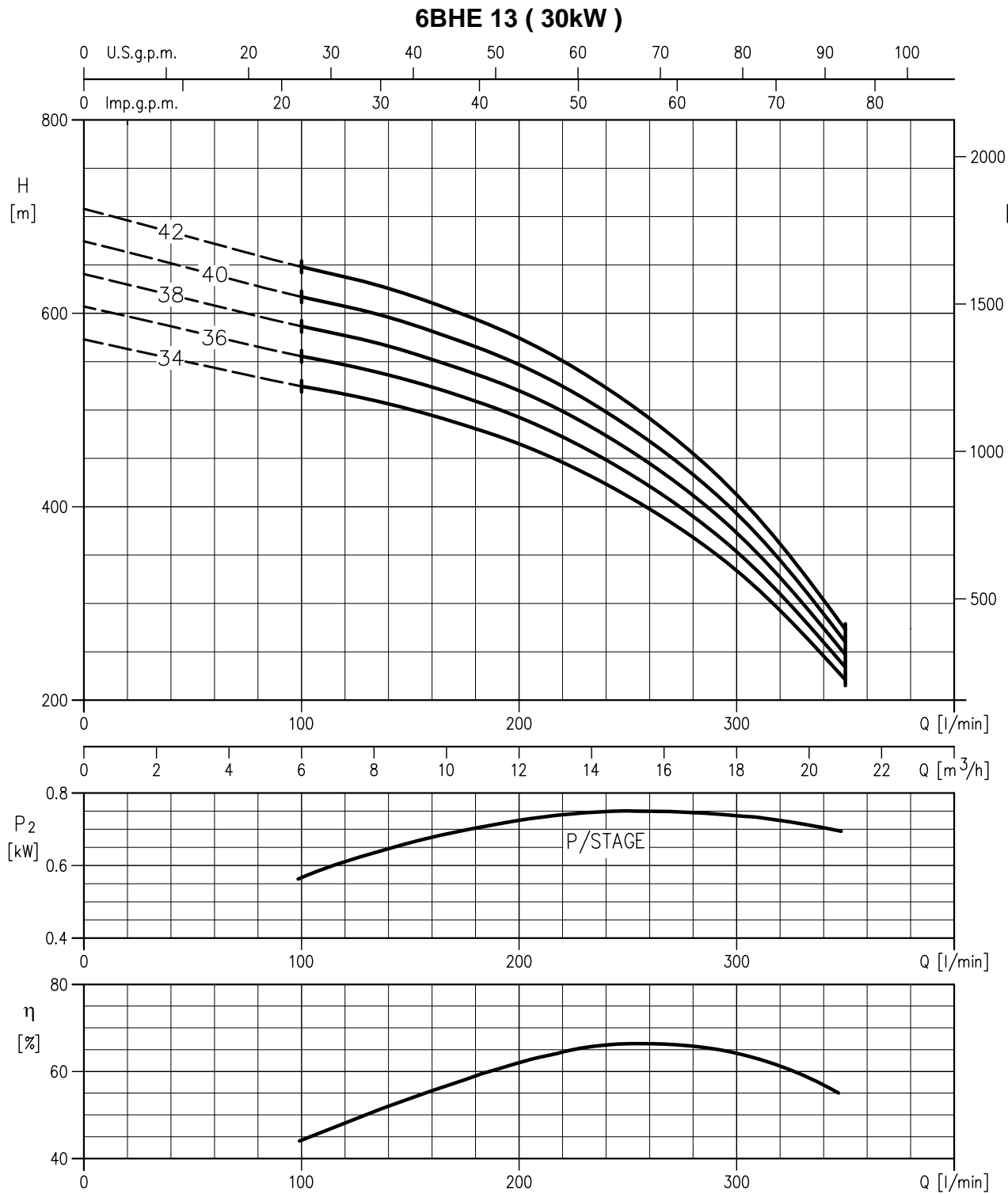


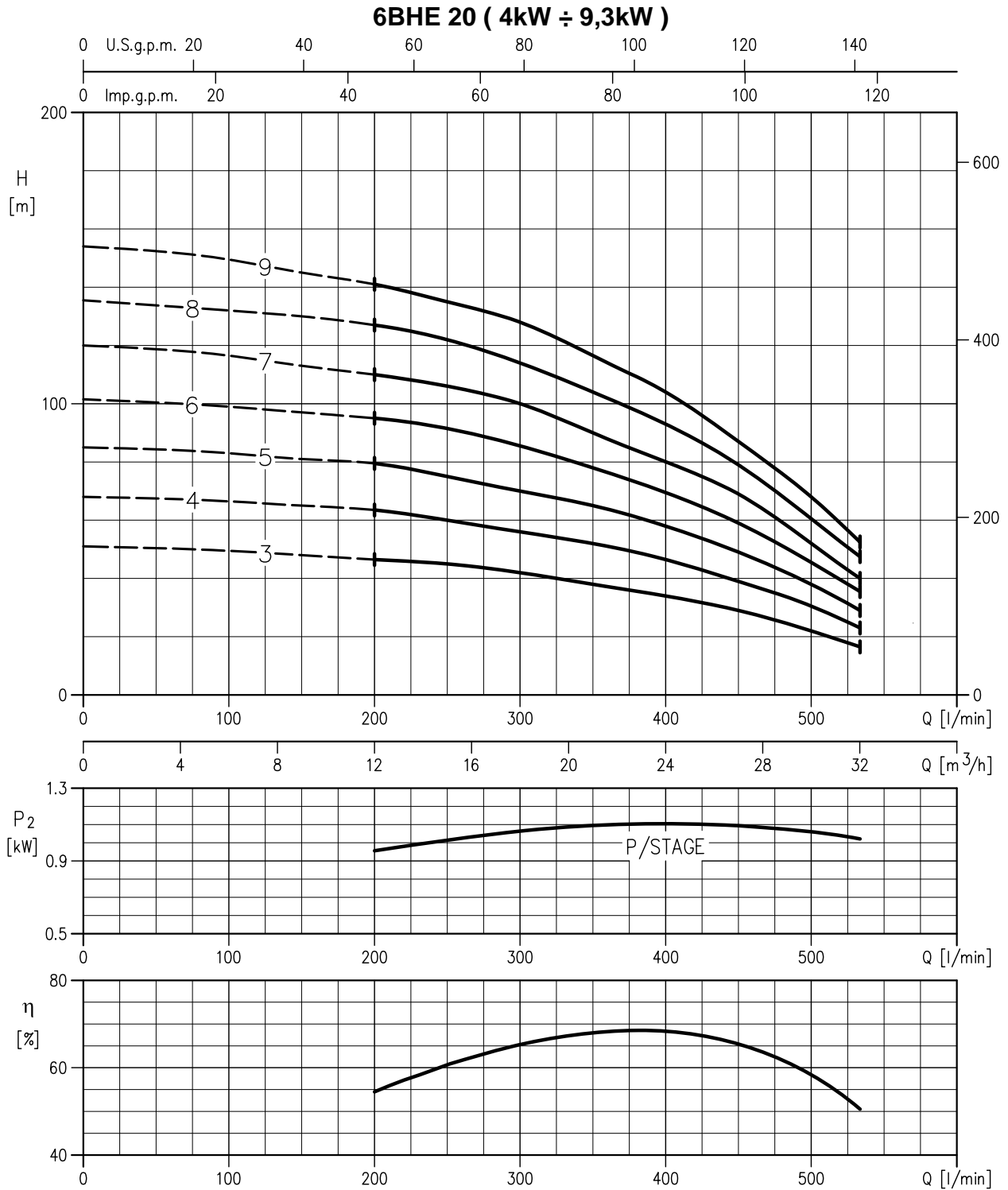


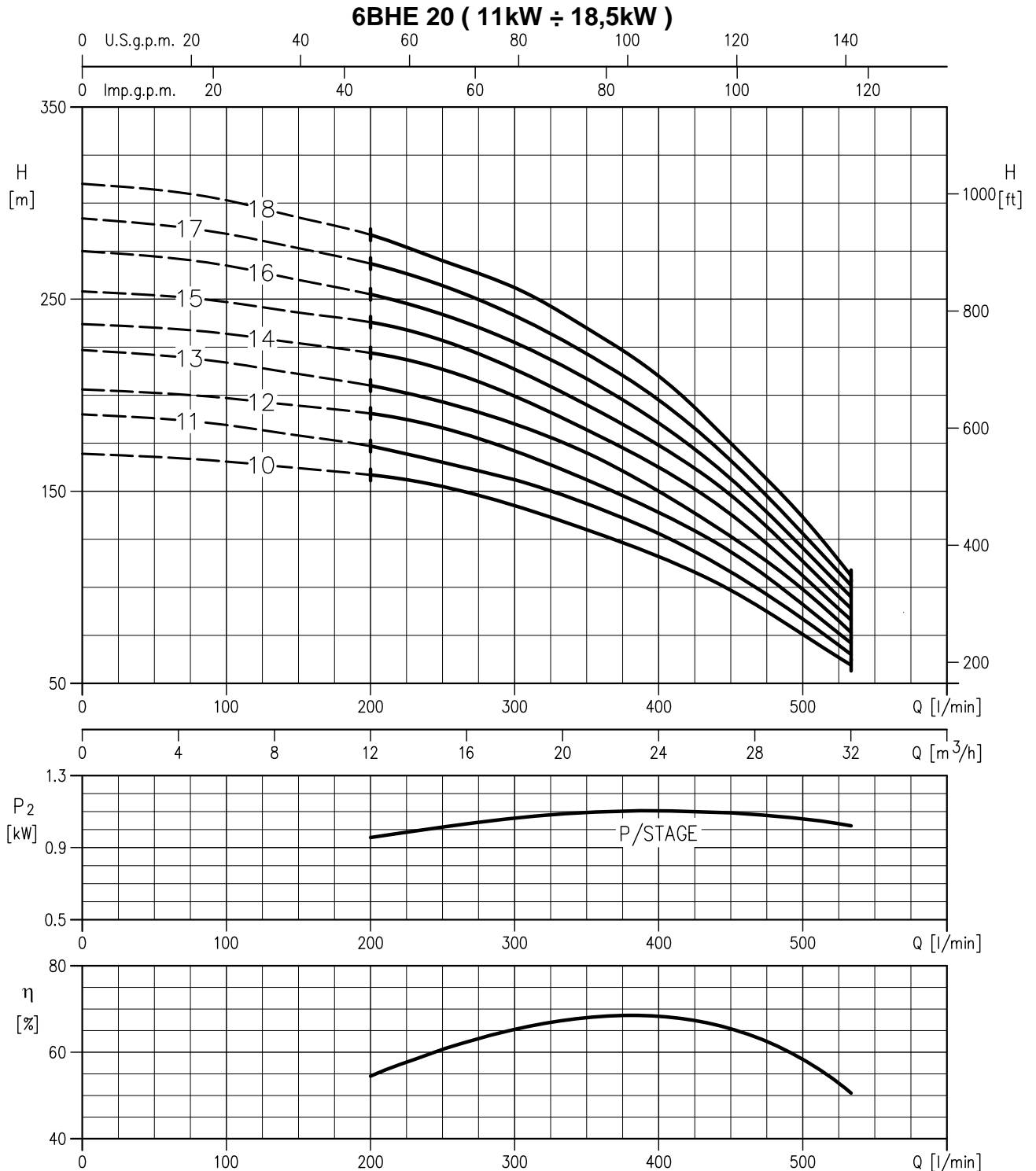


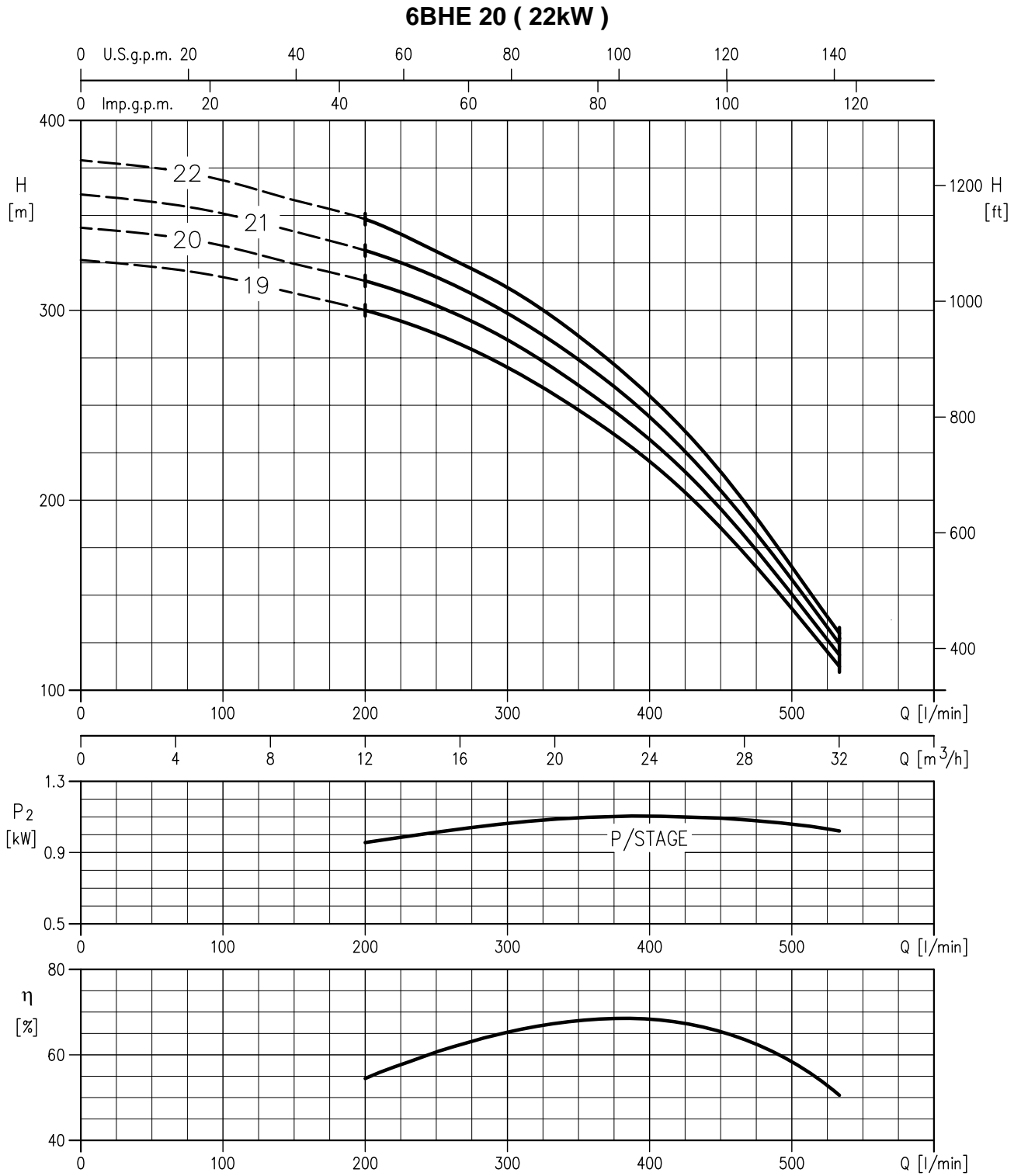


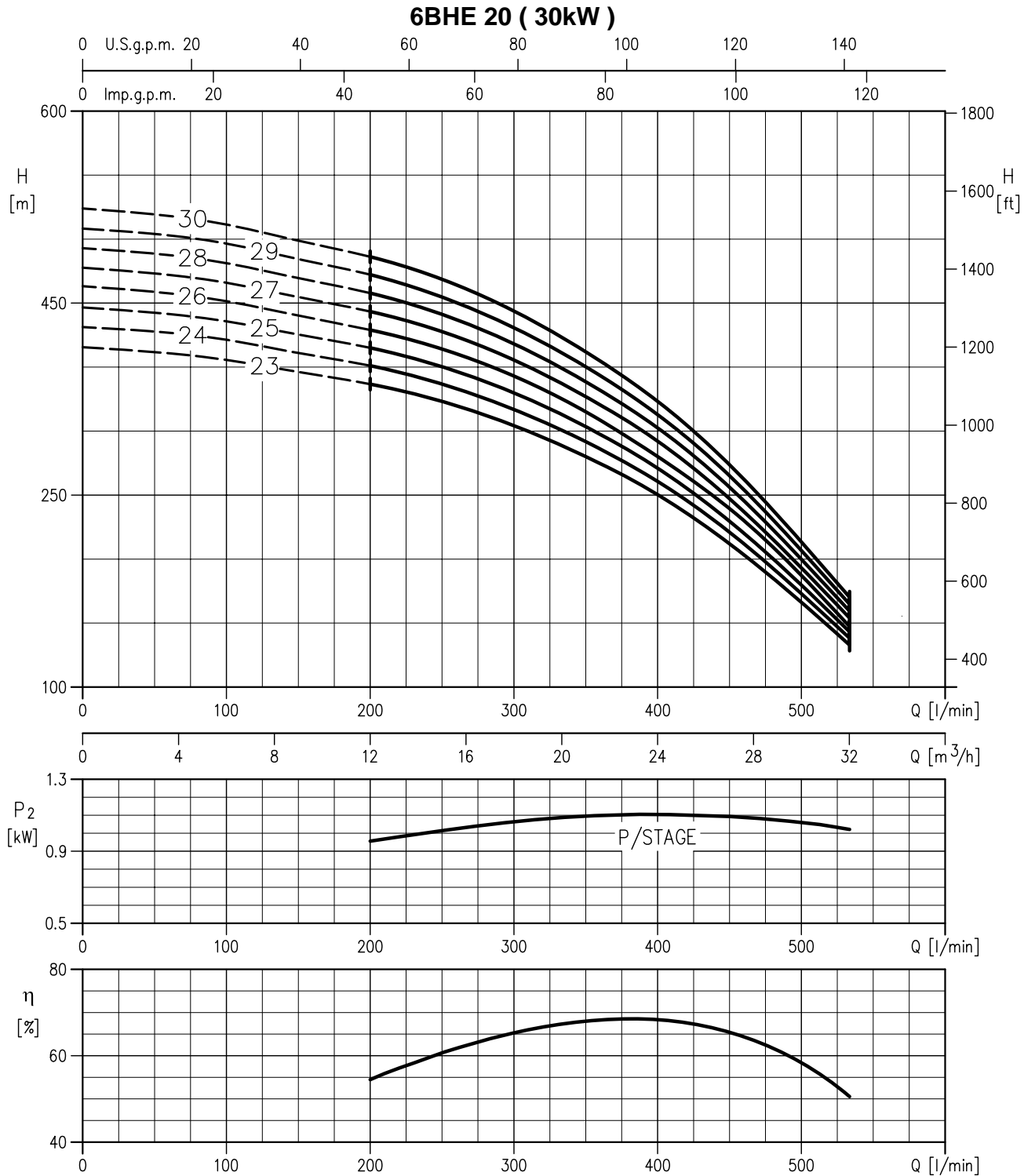


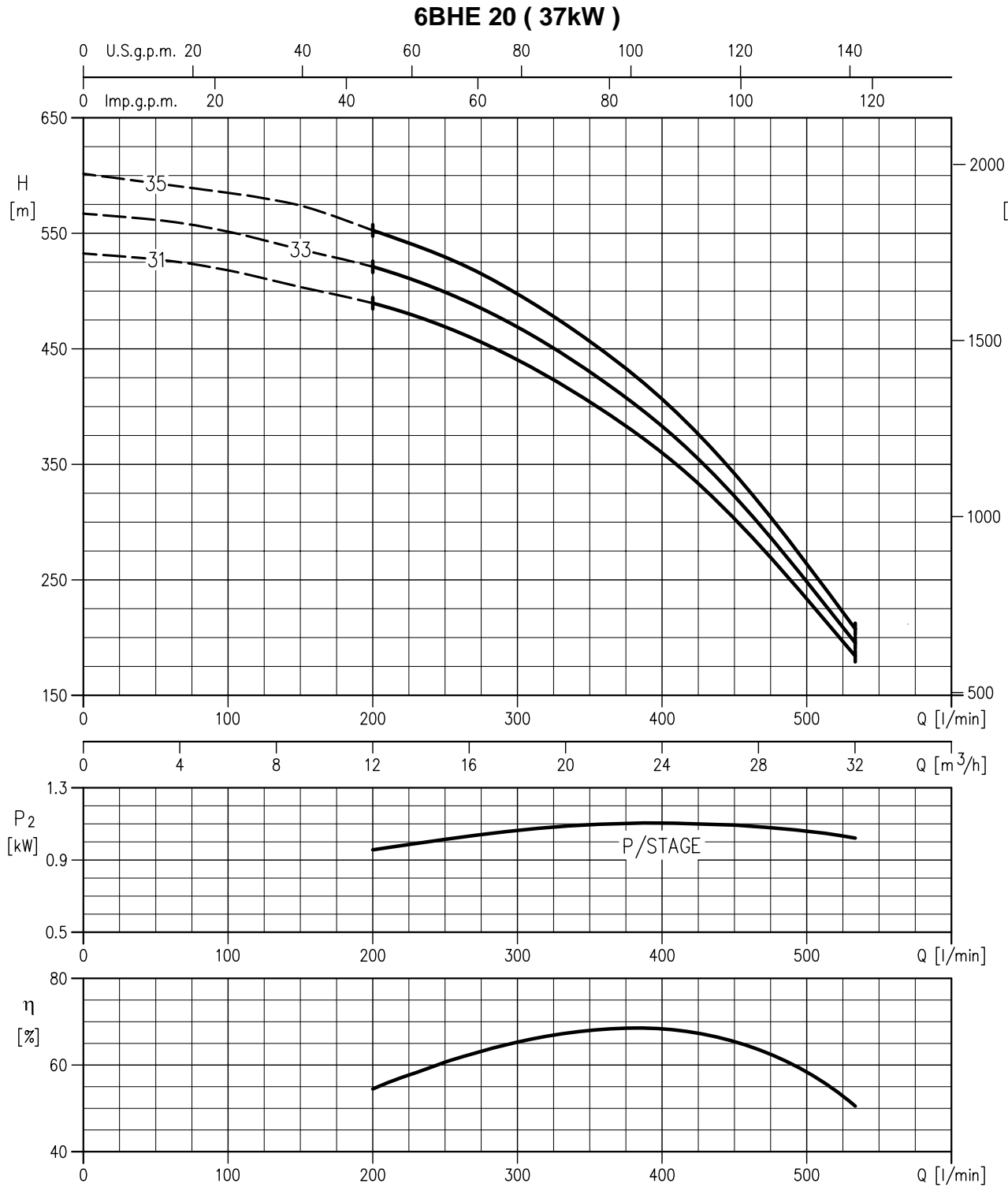


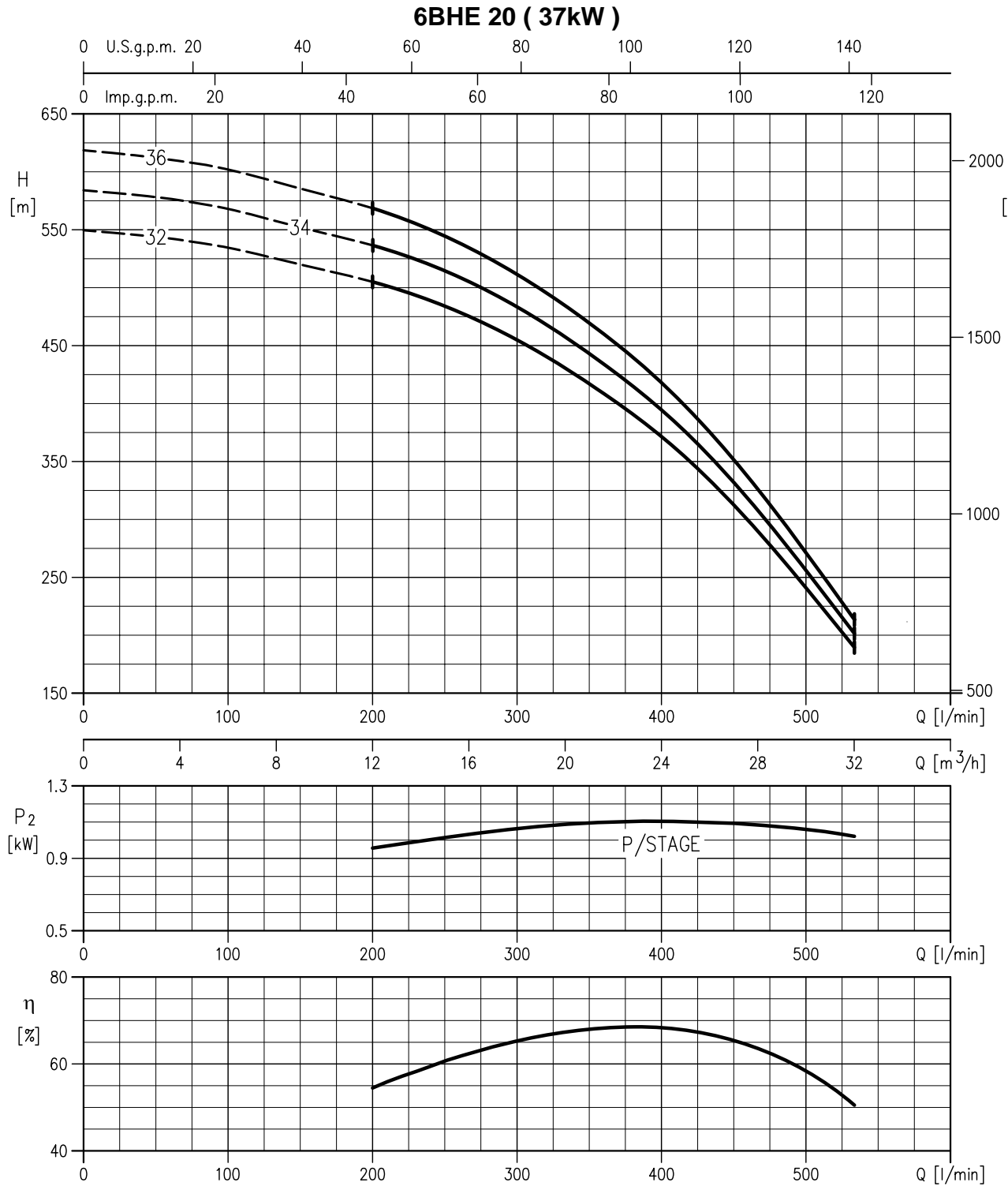


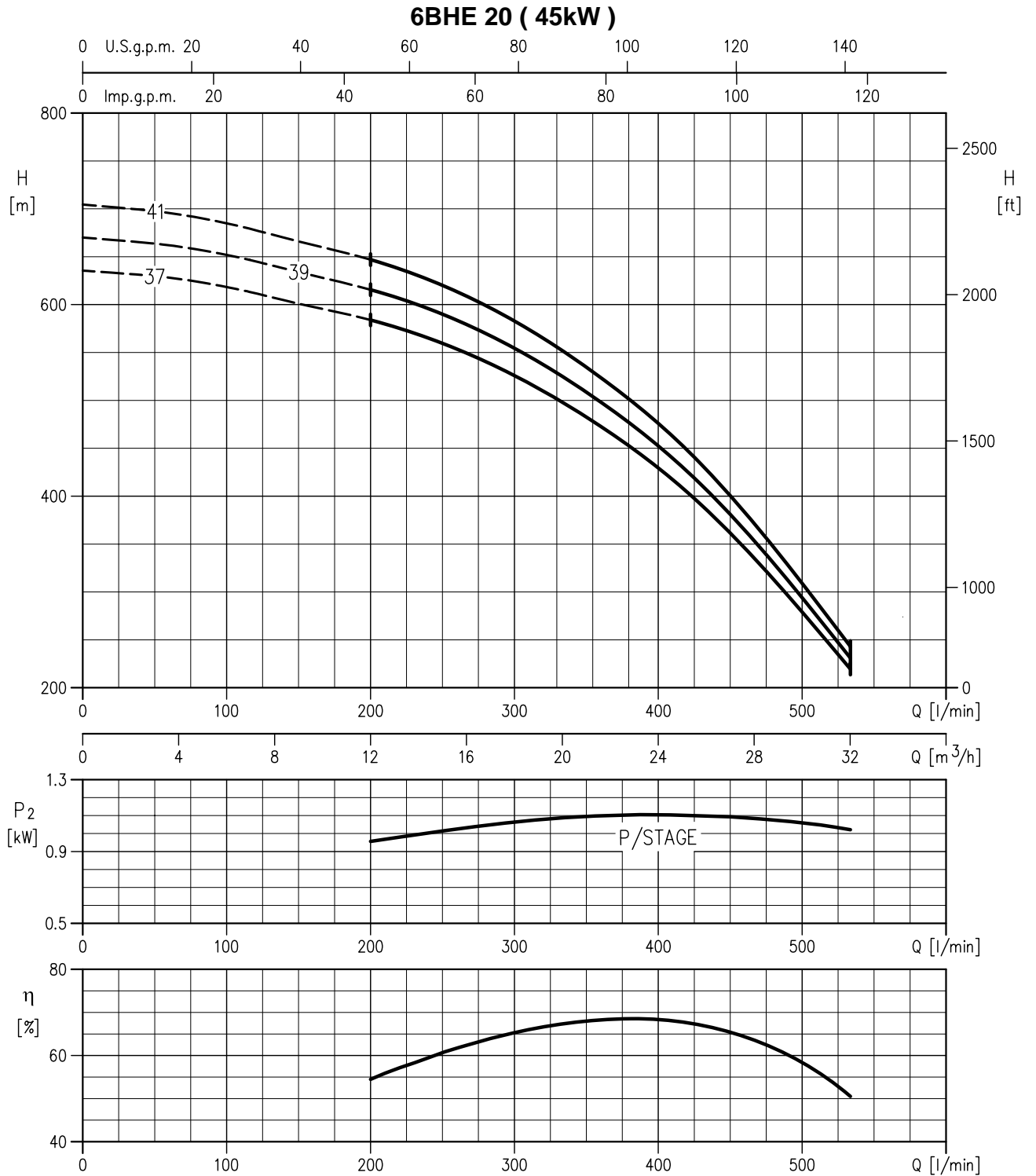


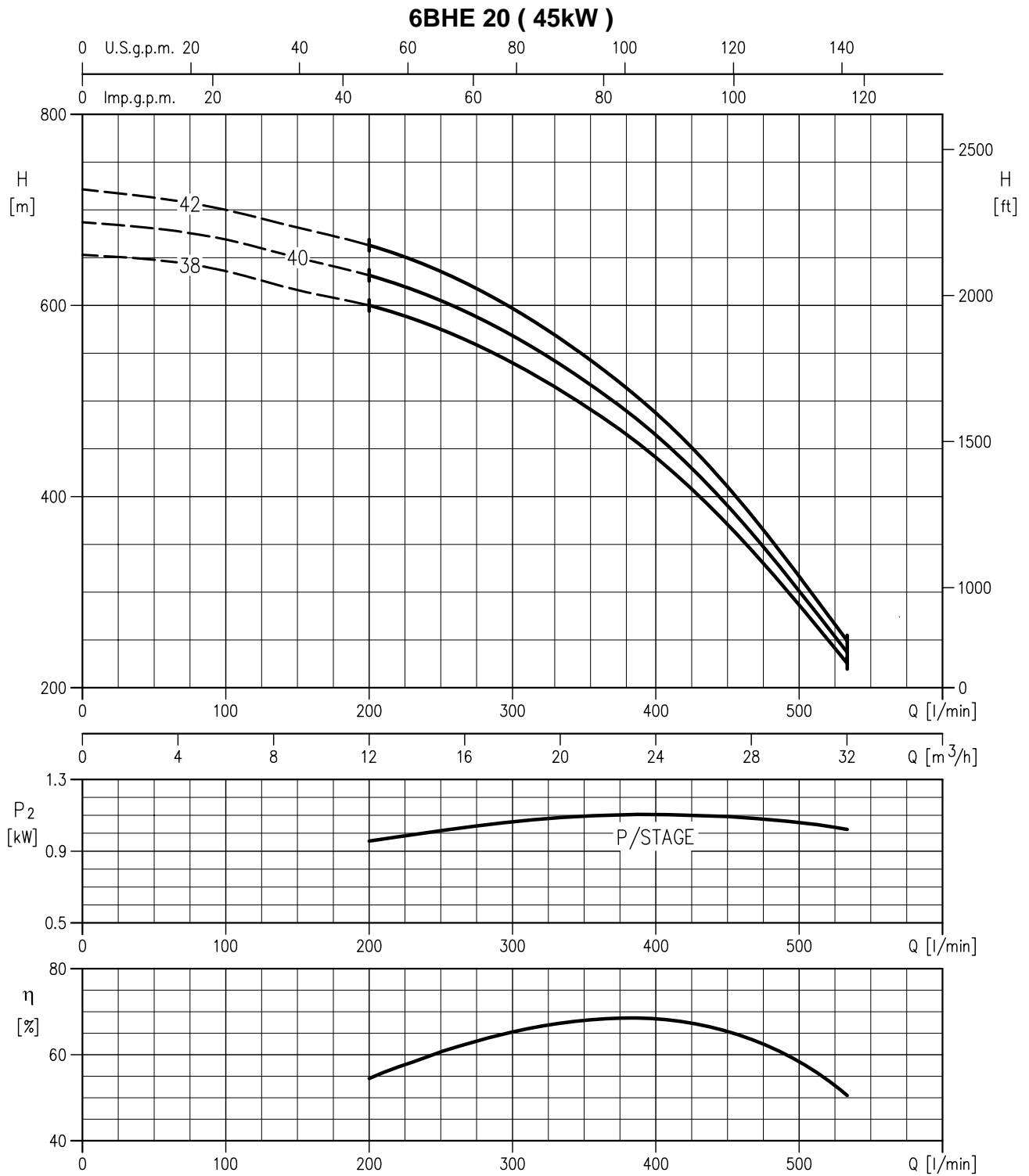




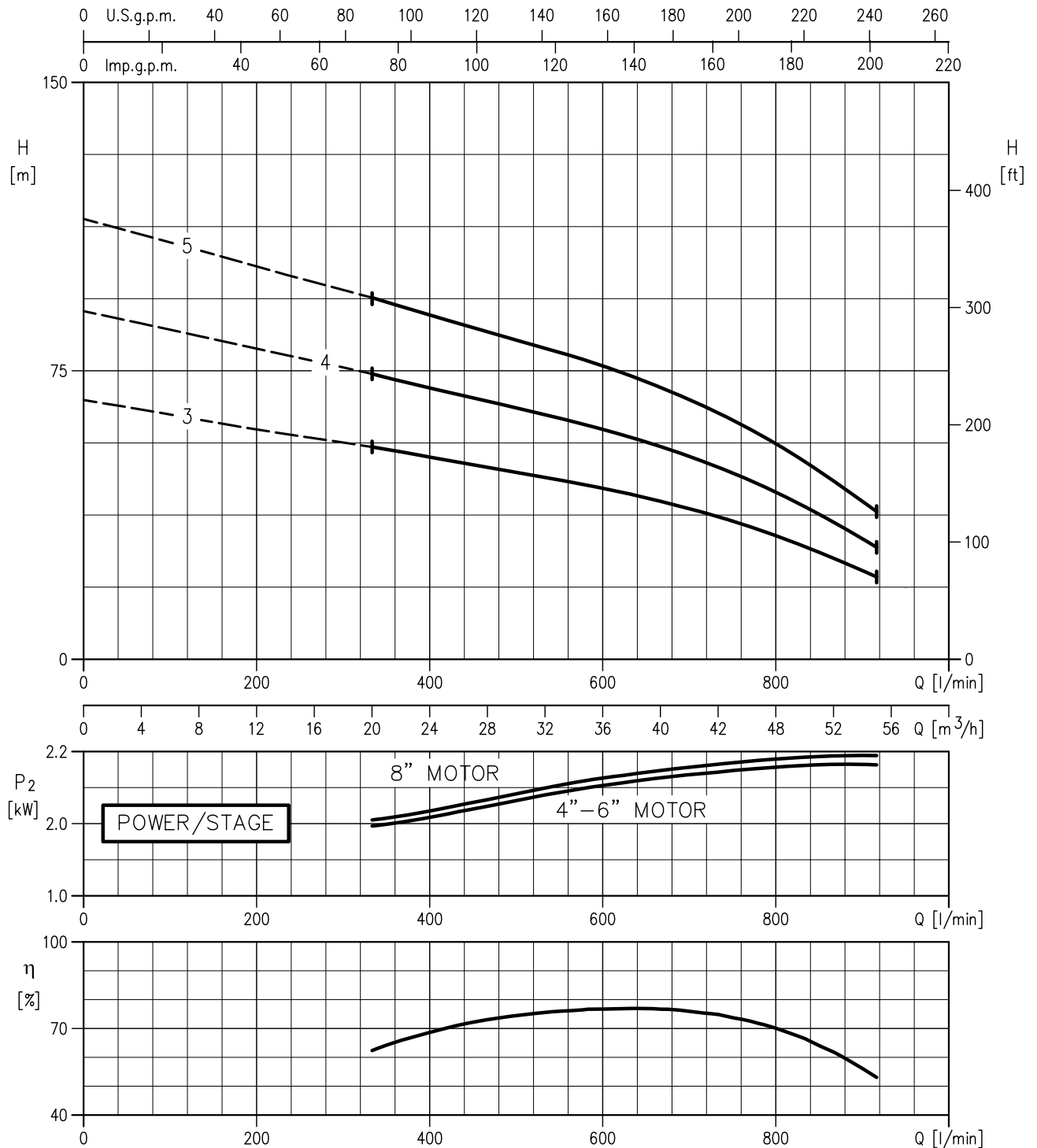


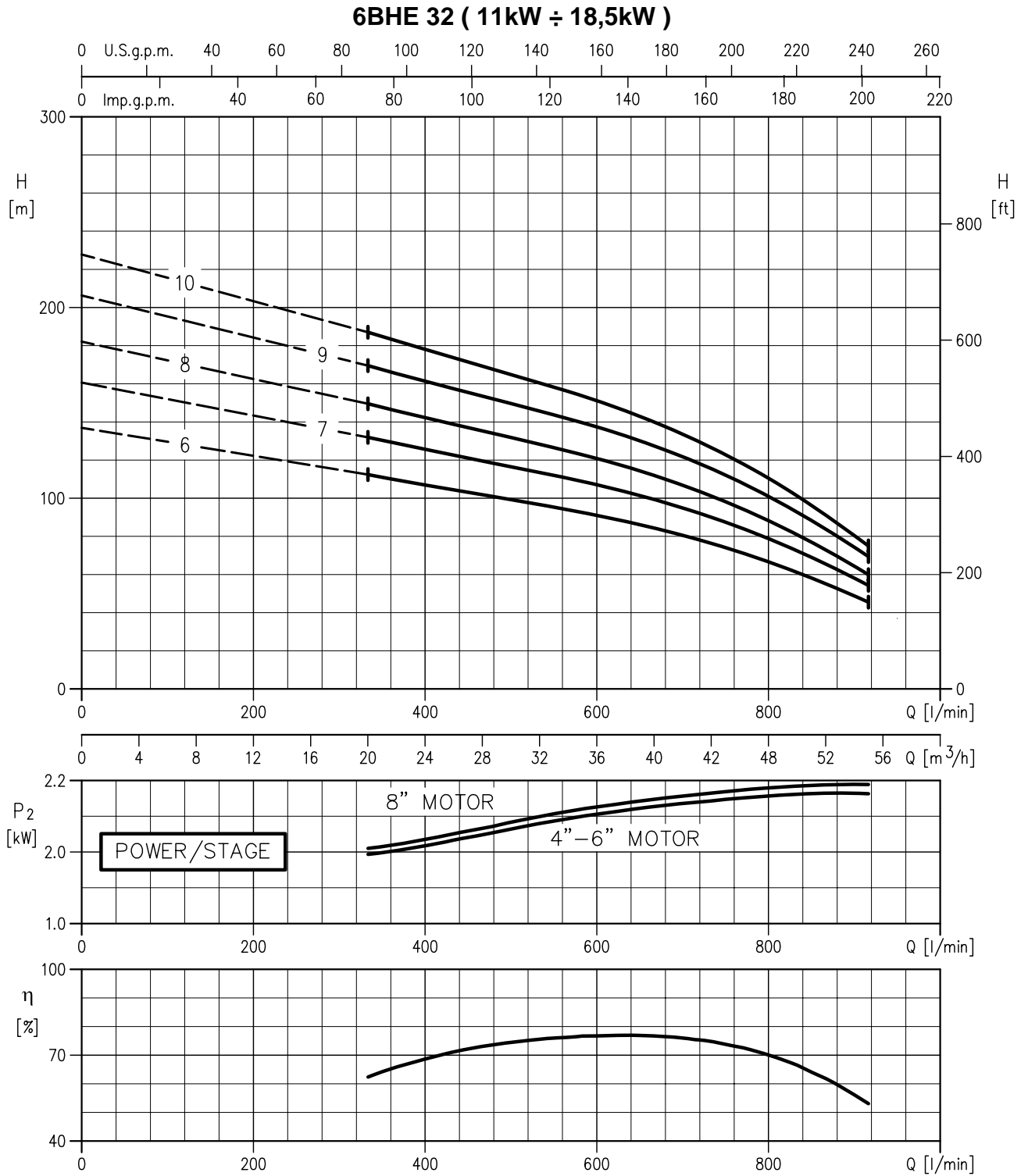




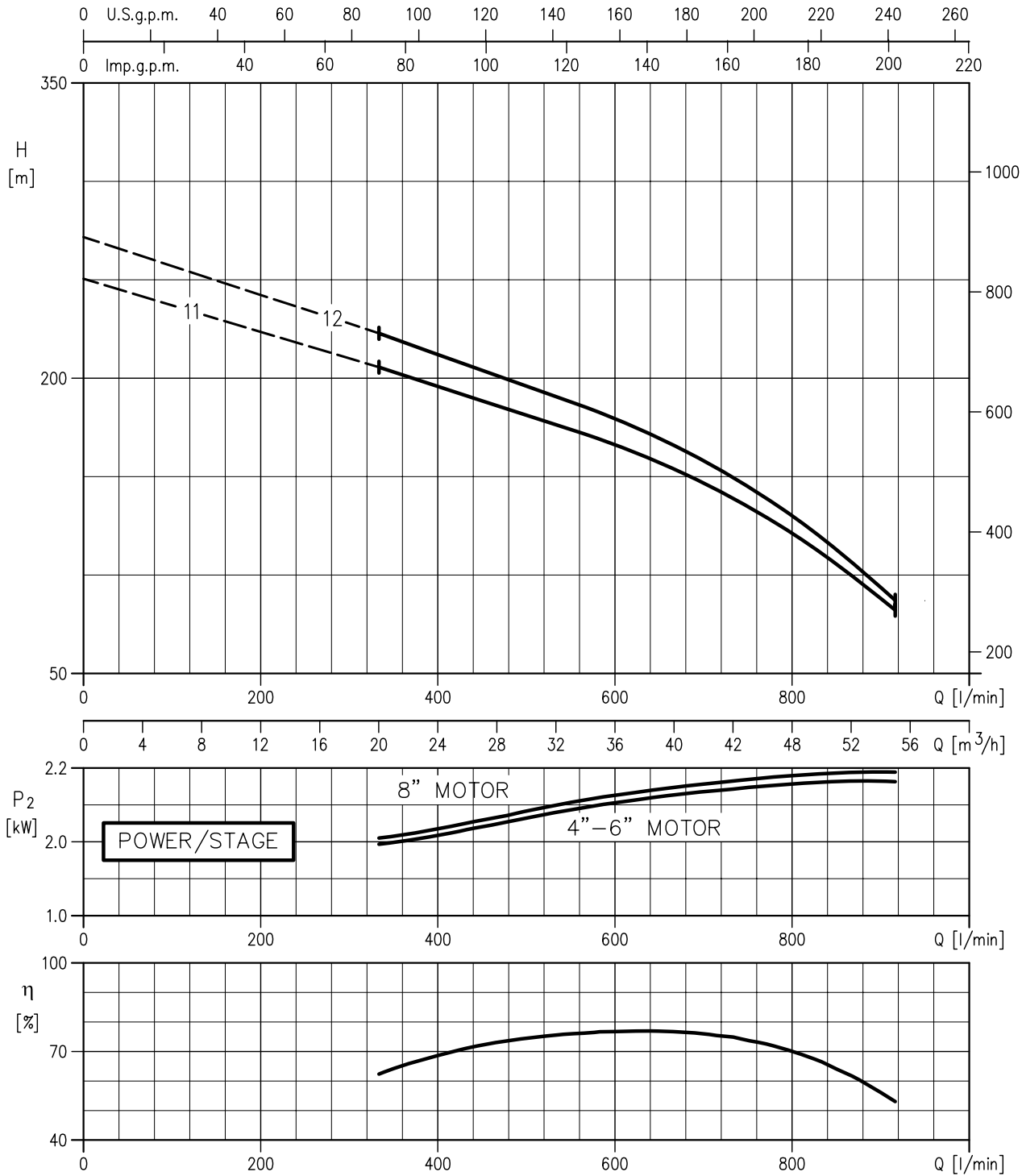


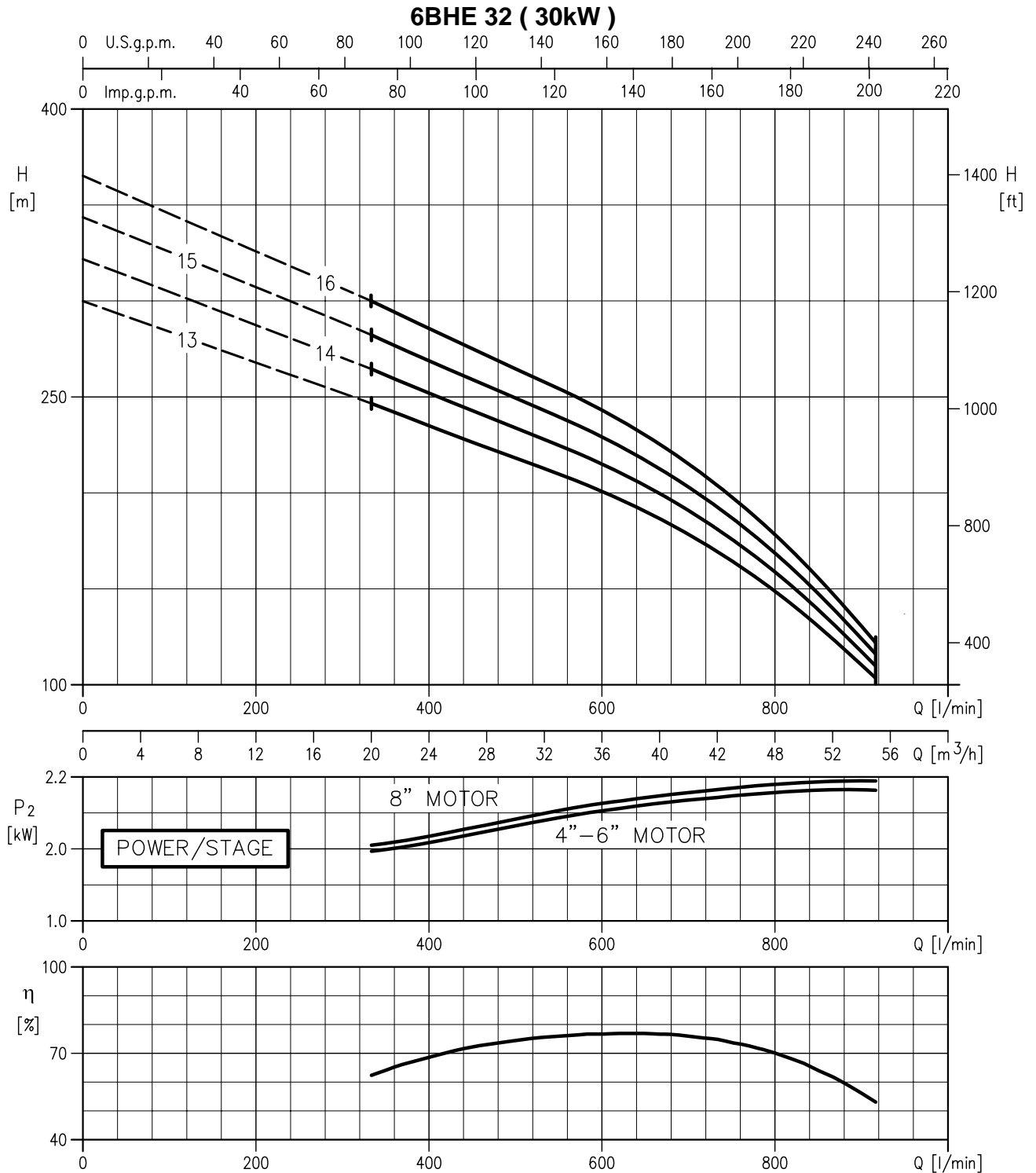
6BHE 32 (5,5kW ÷ 9,3kW)

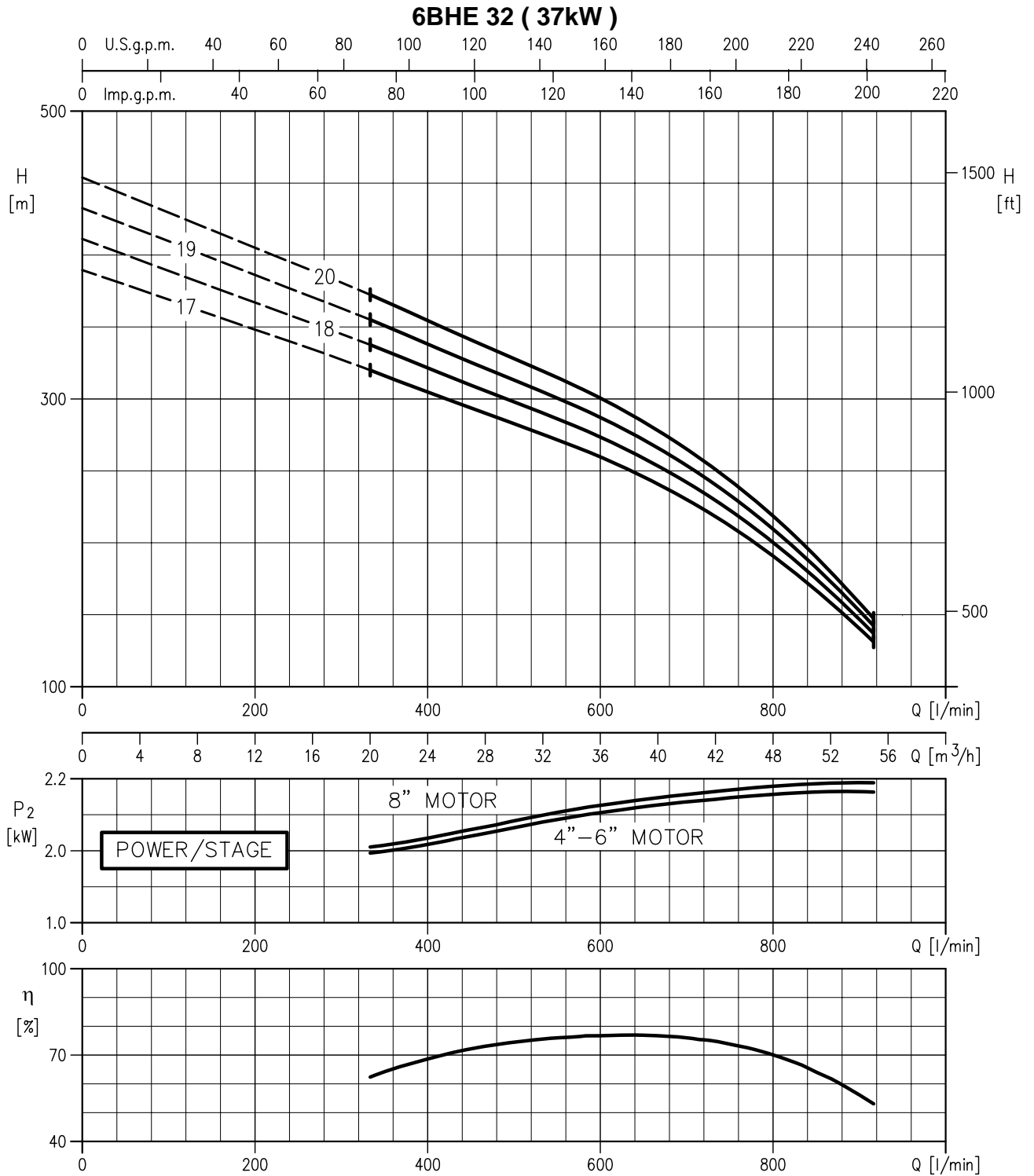


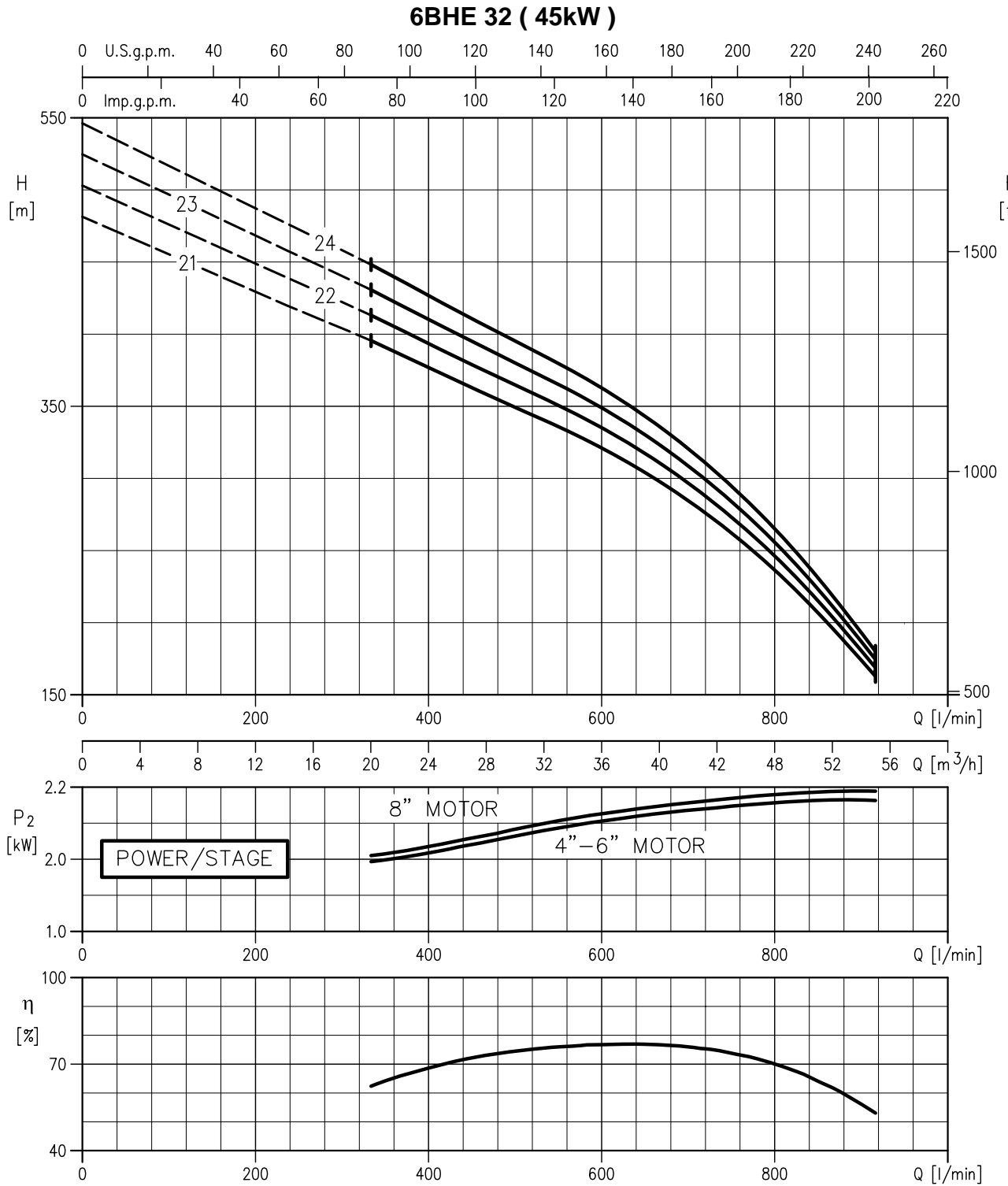


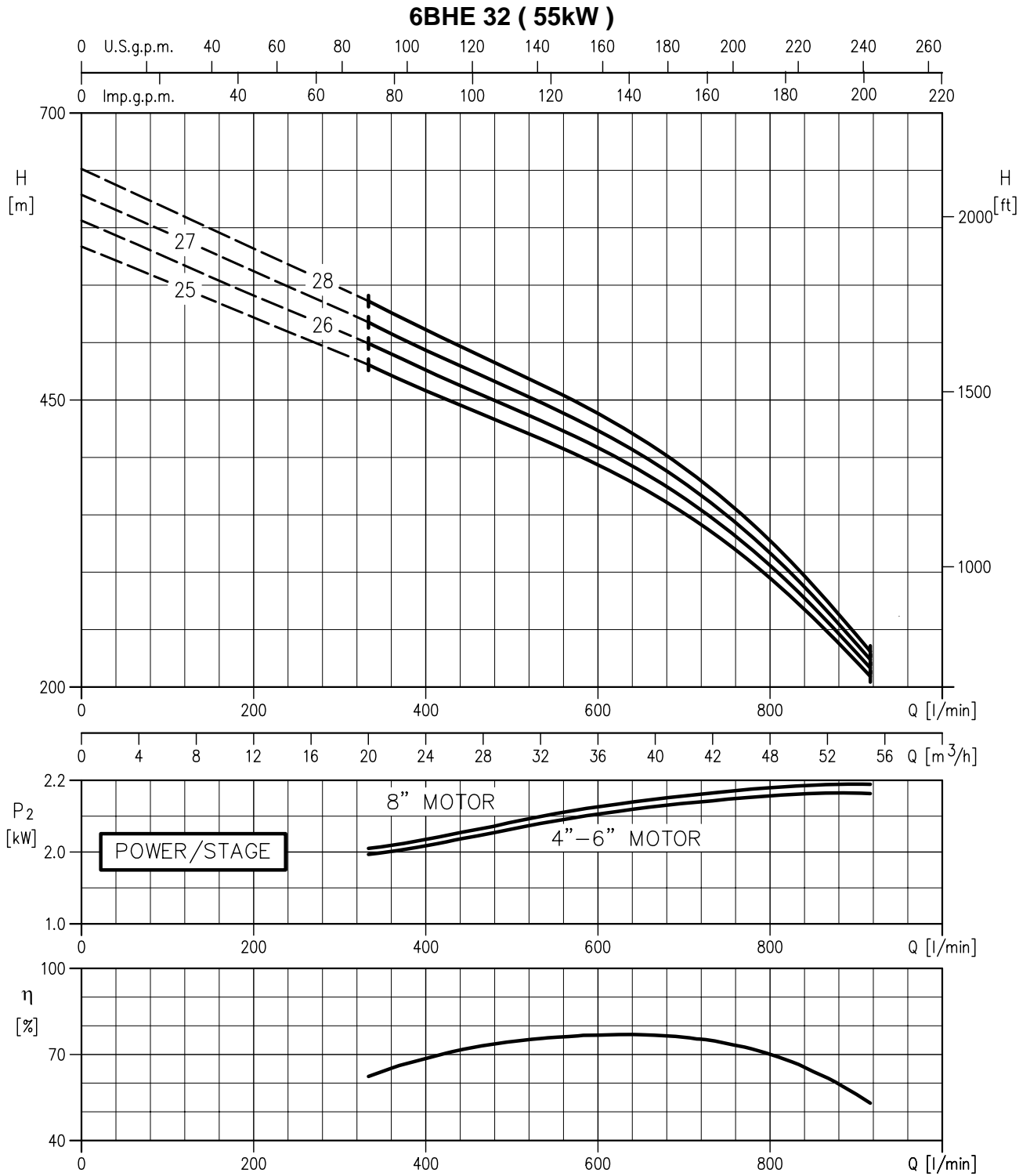
6BHE 32 (22kW)



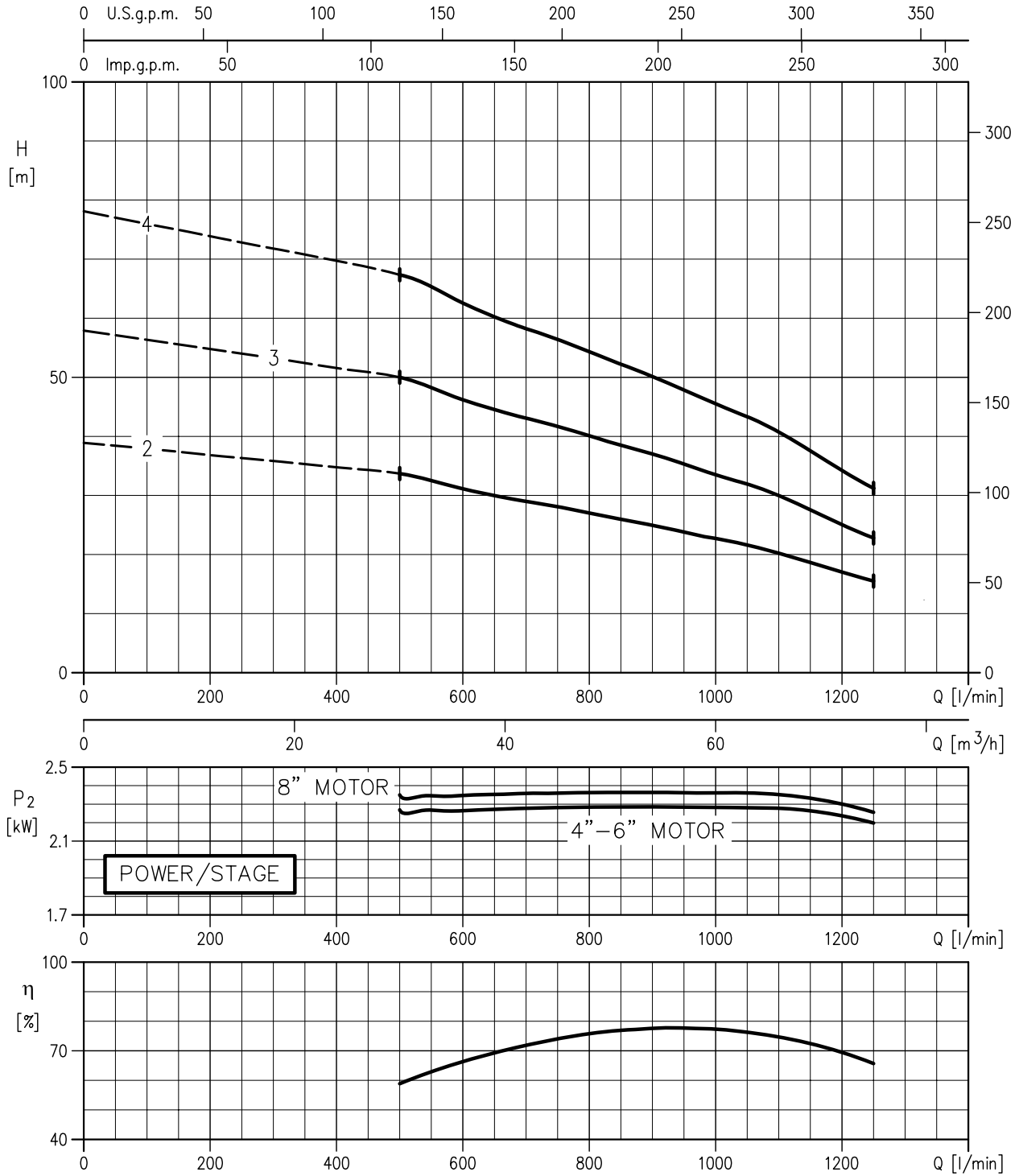


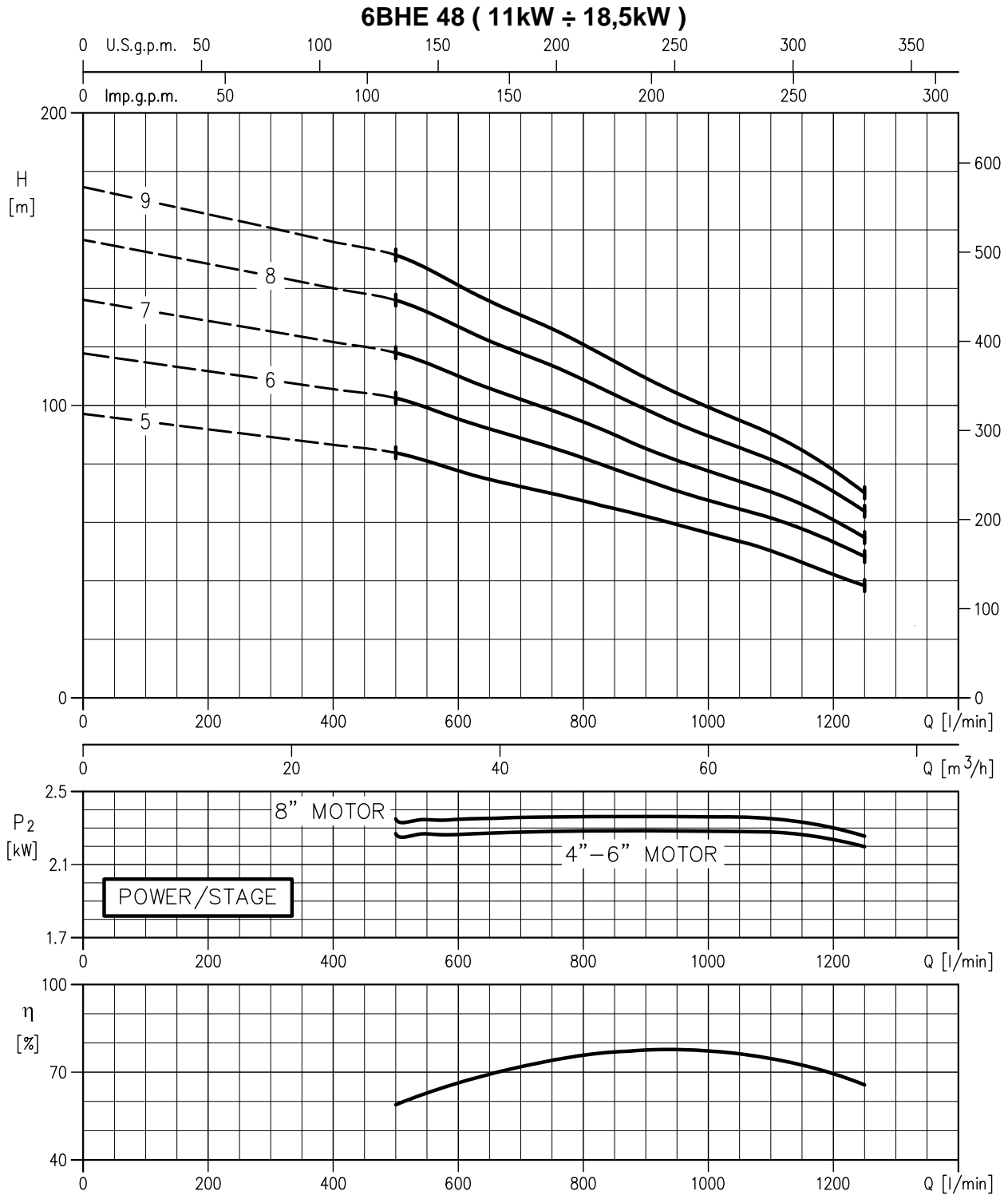


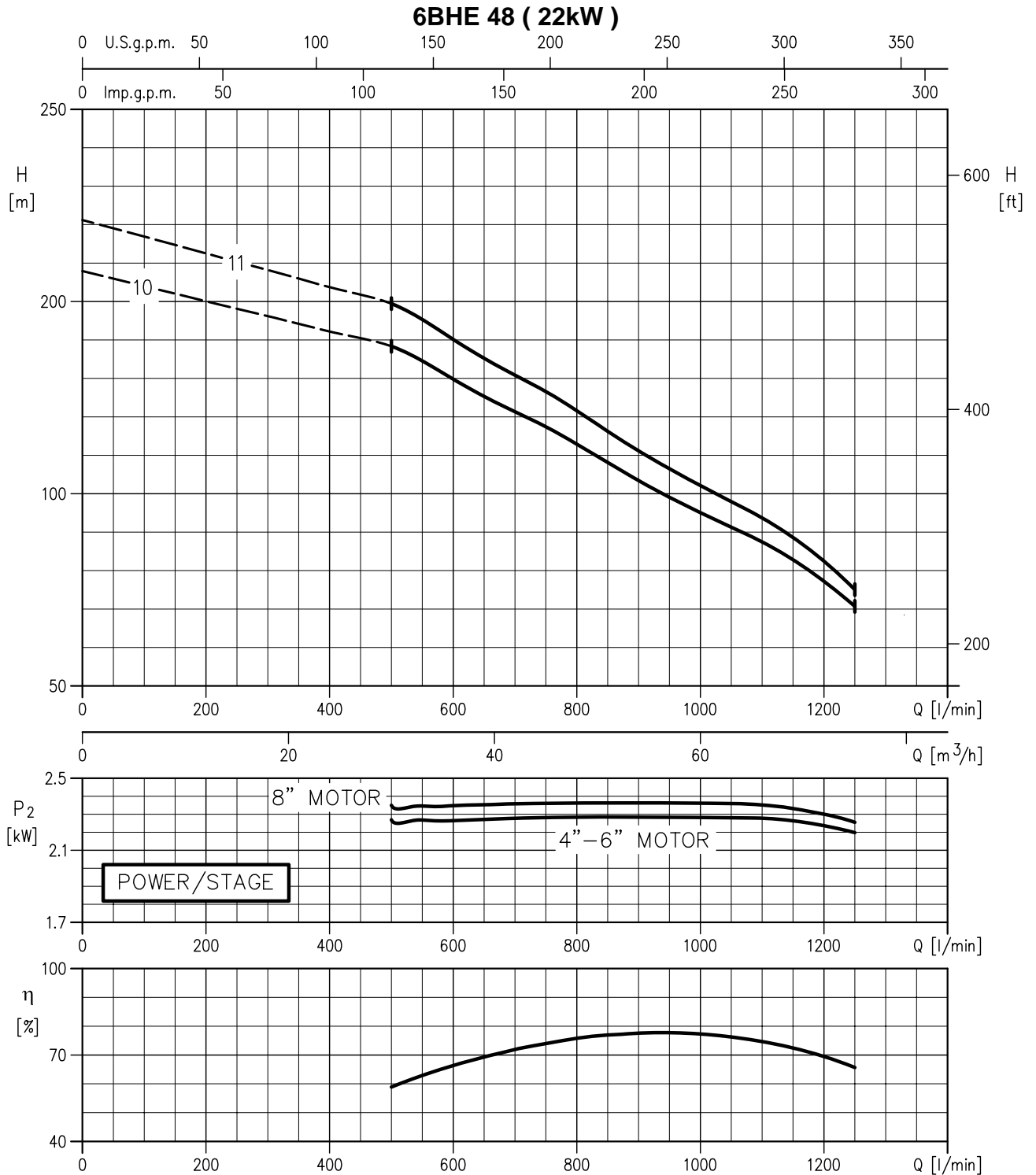


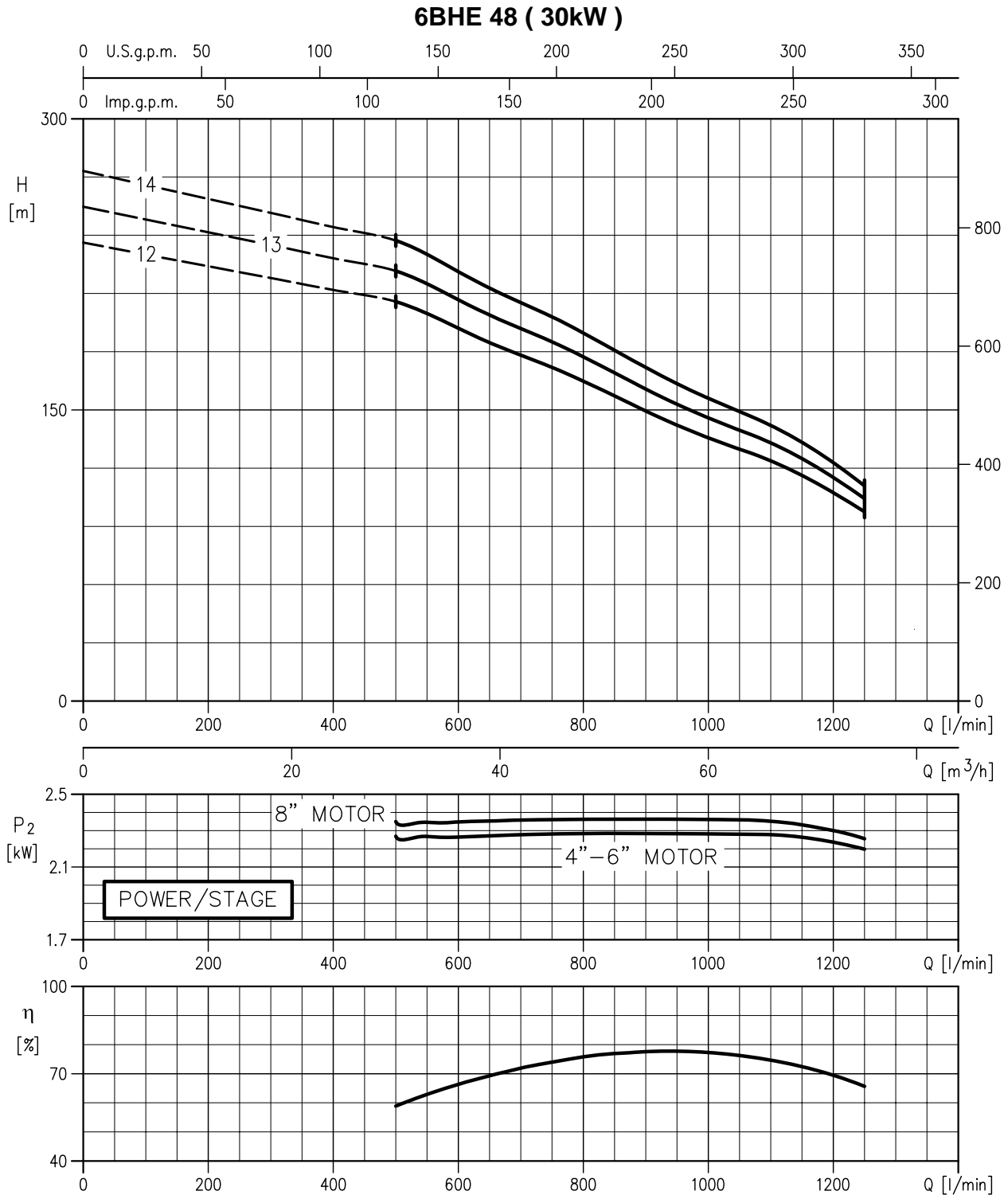


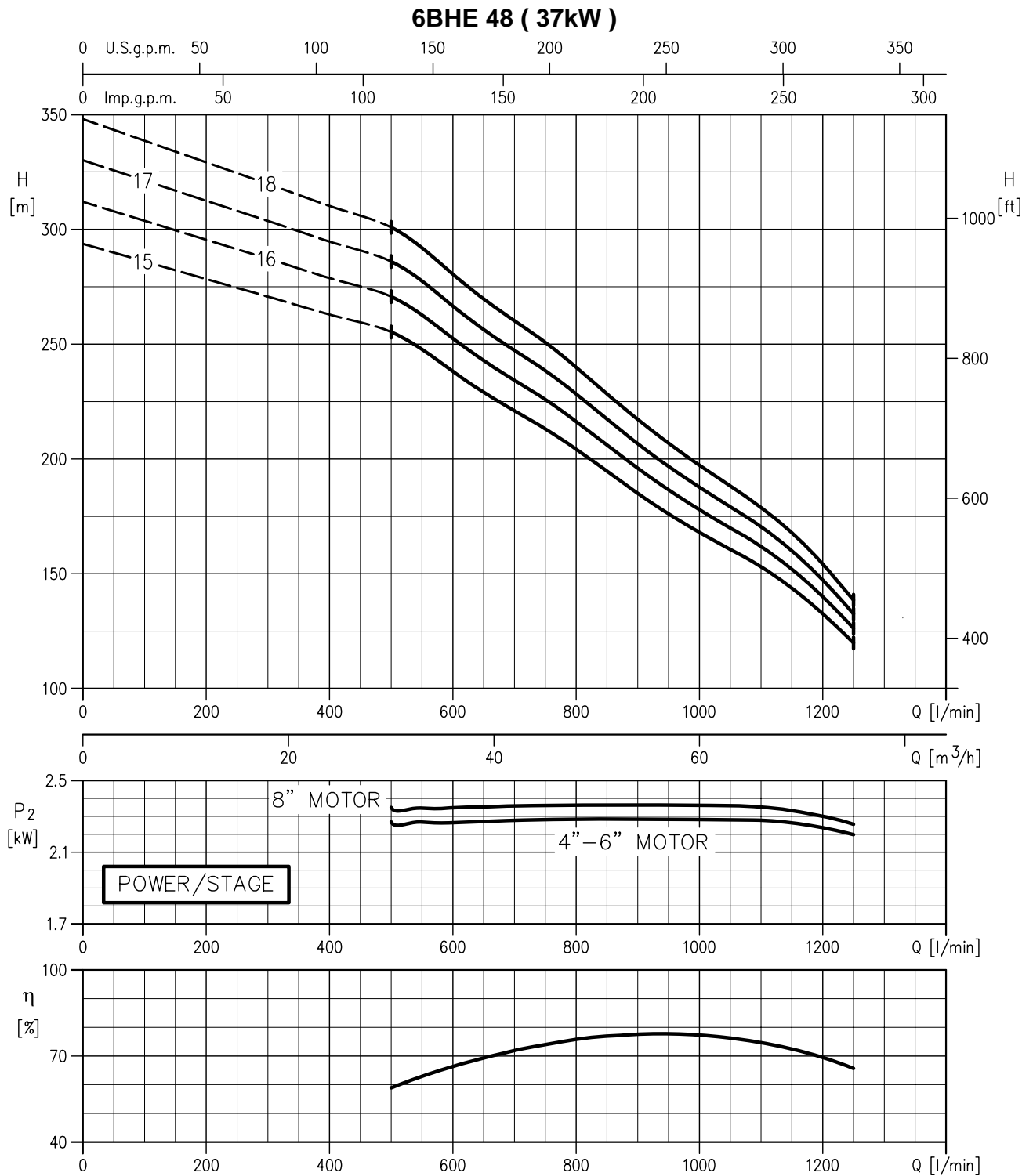
6BHE 48 (5,5kW ÷ 9,3kW)

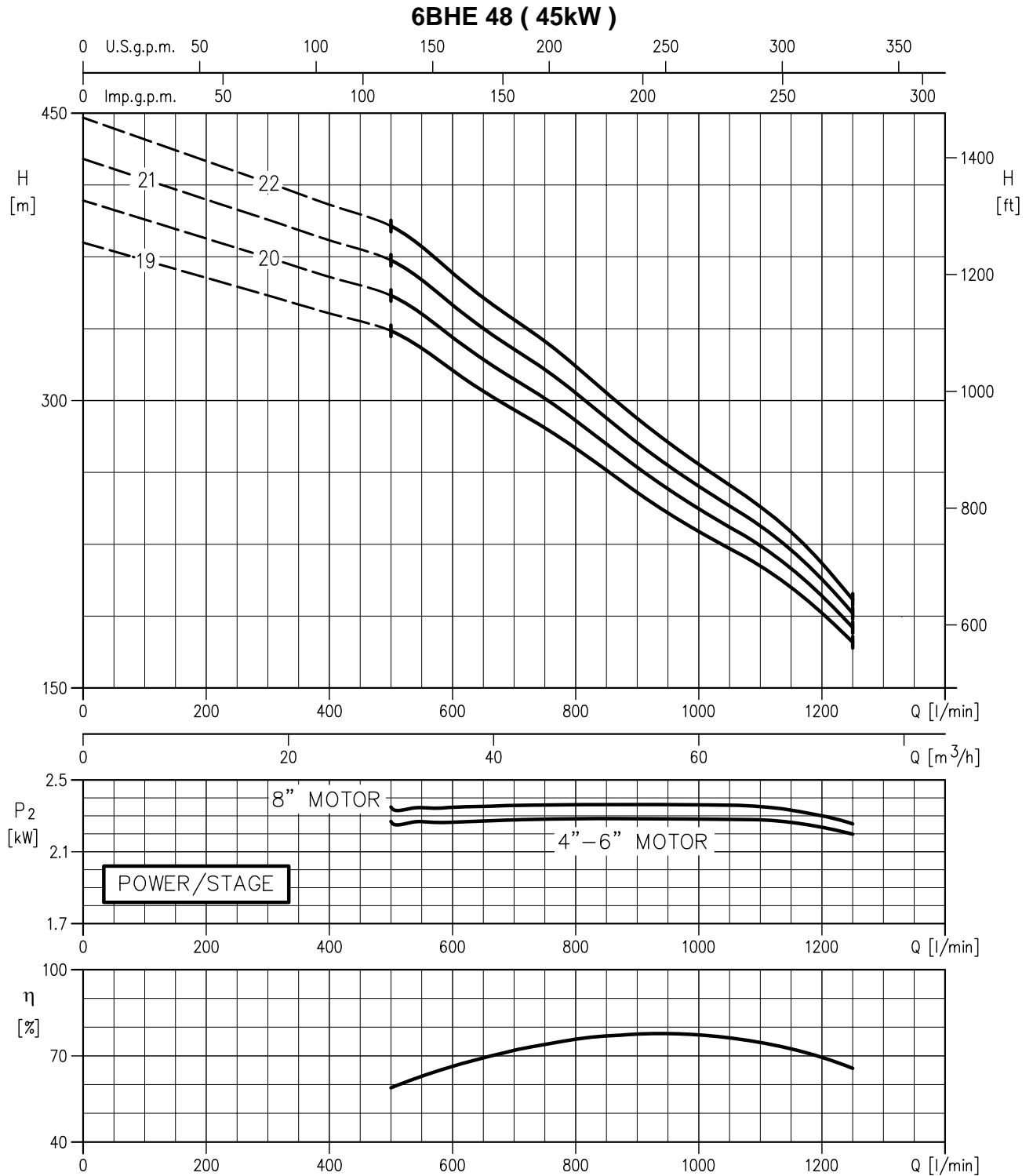


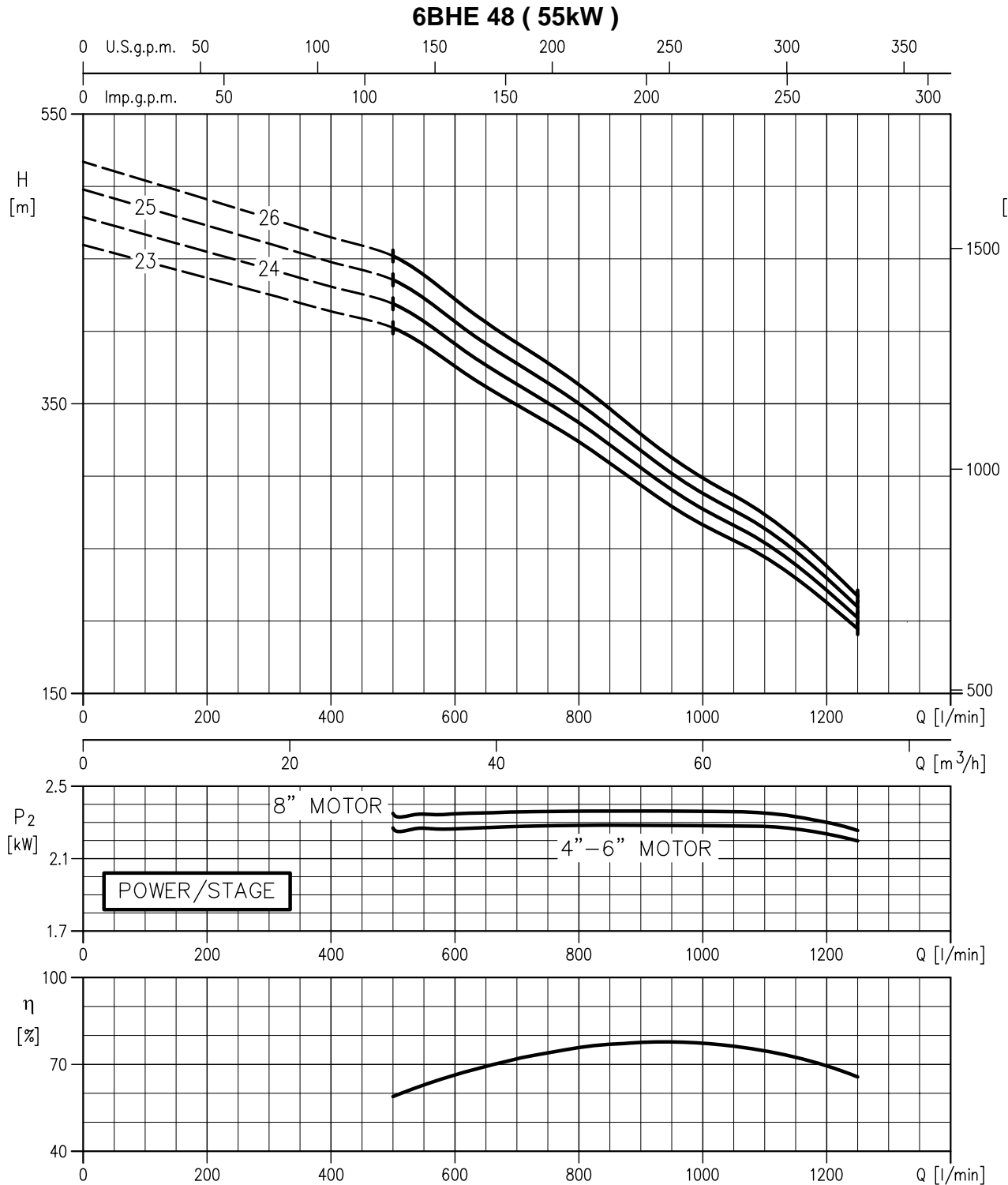


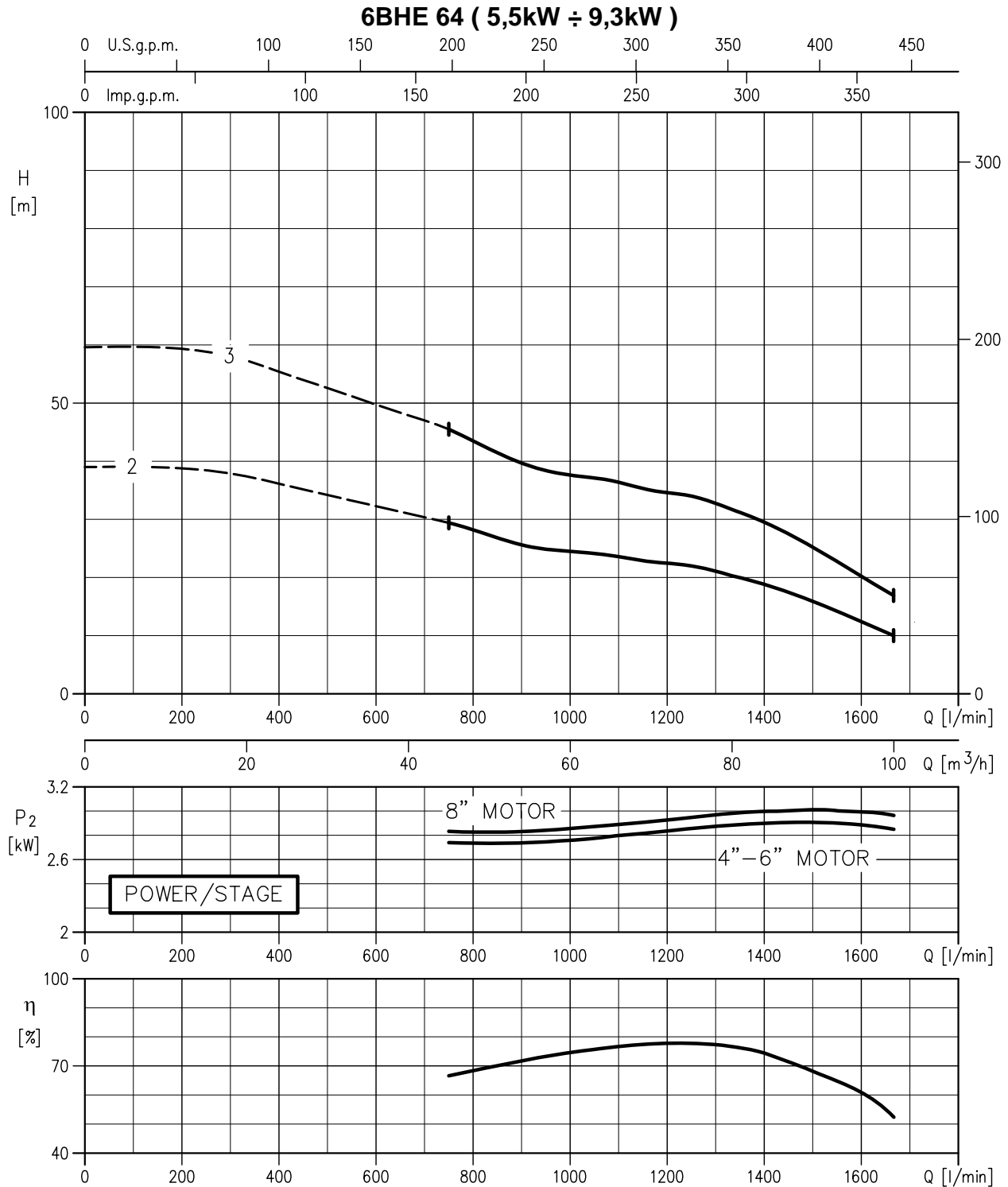




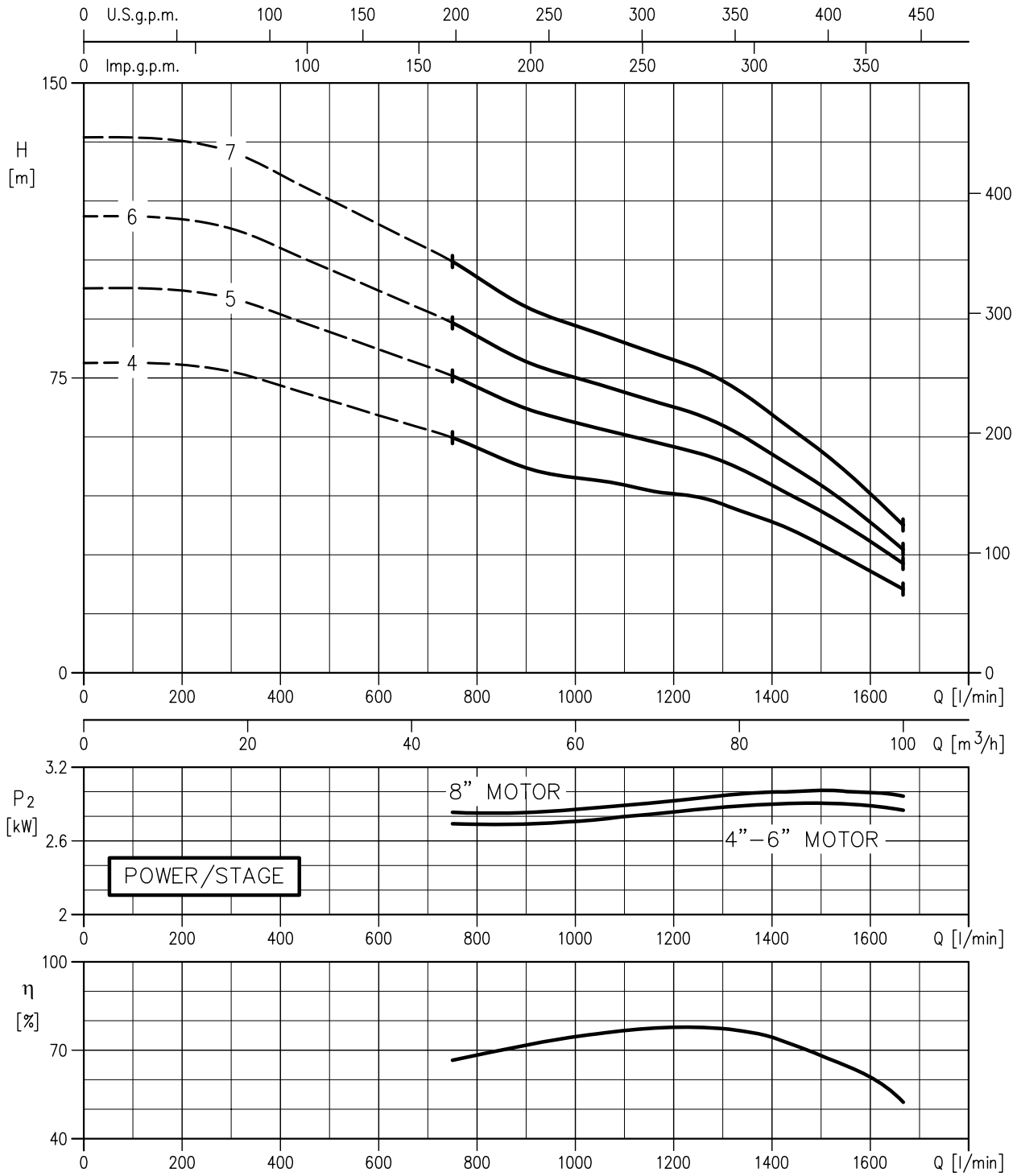


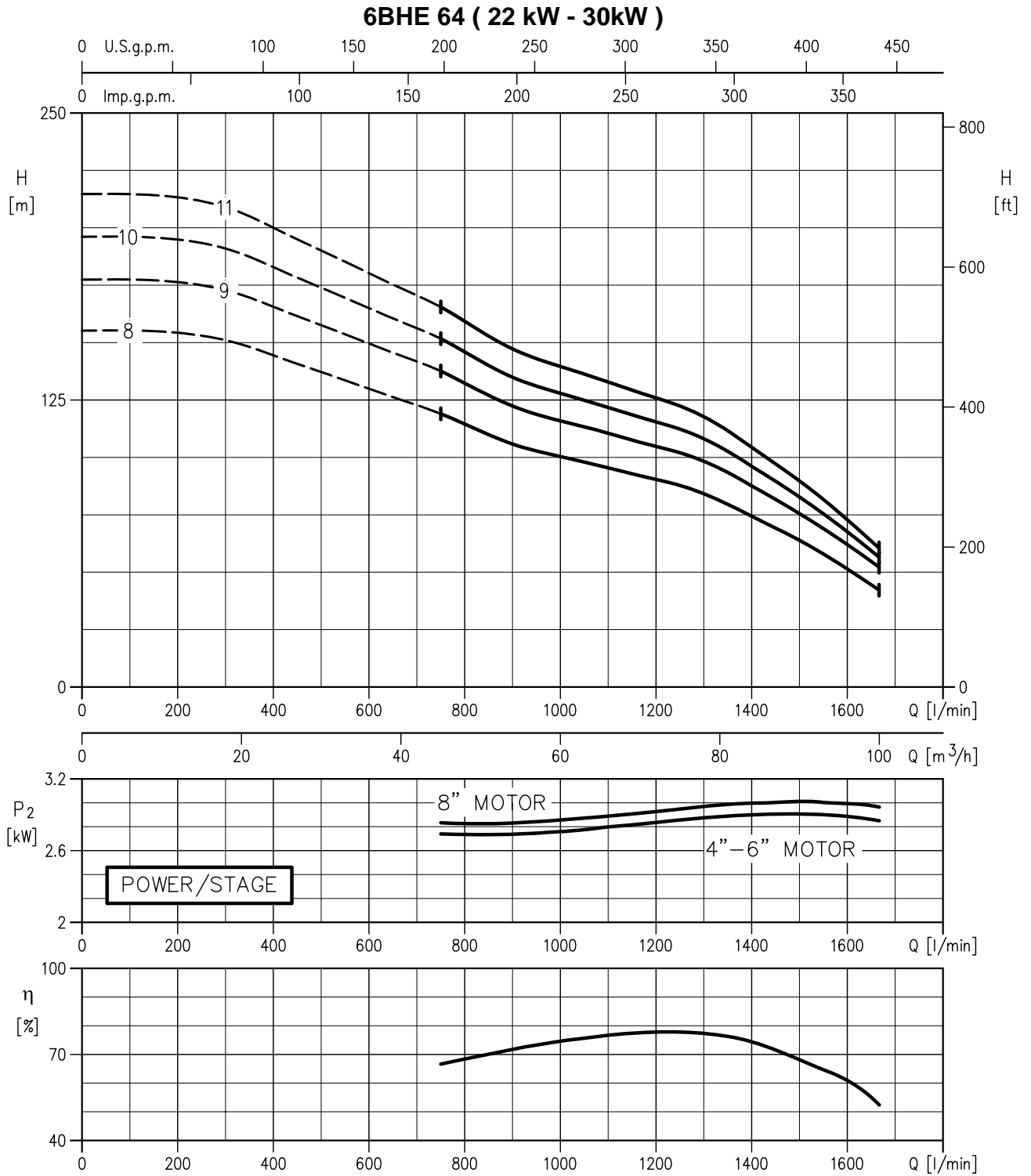


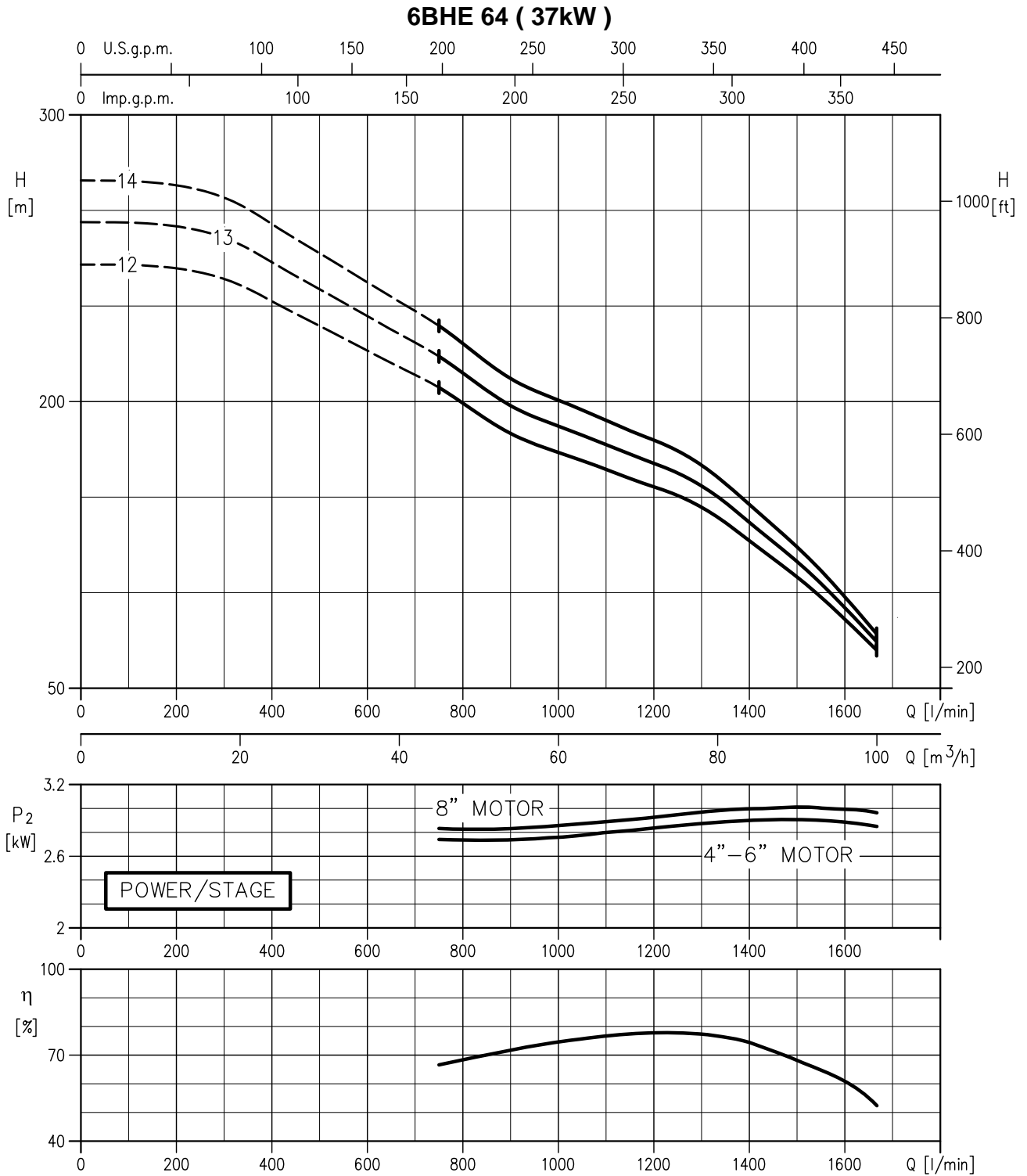


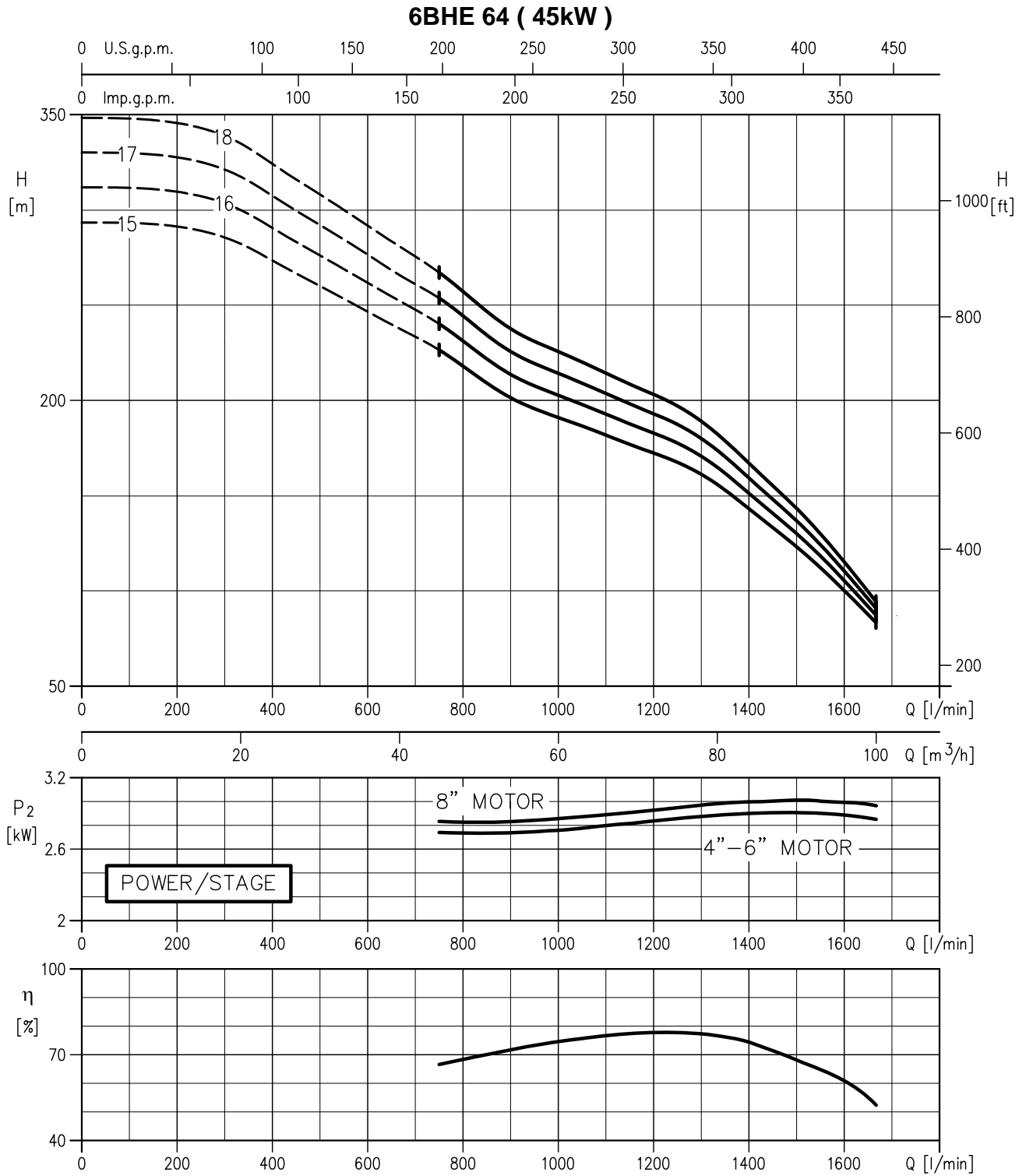


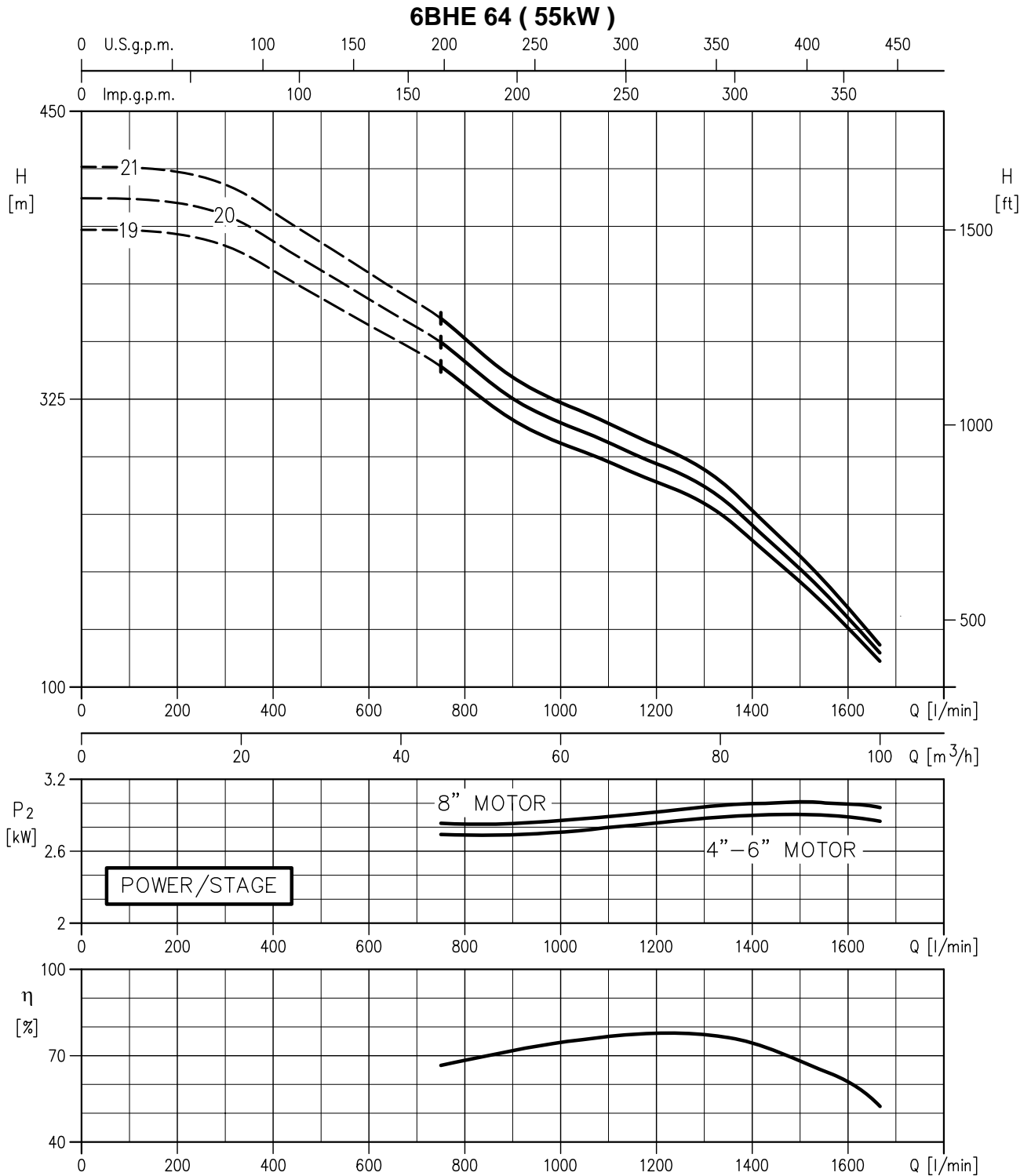
6BHE 64 (11kW ÷ 18,5kW)

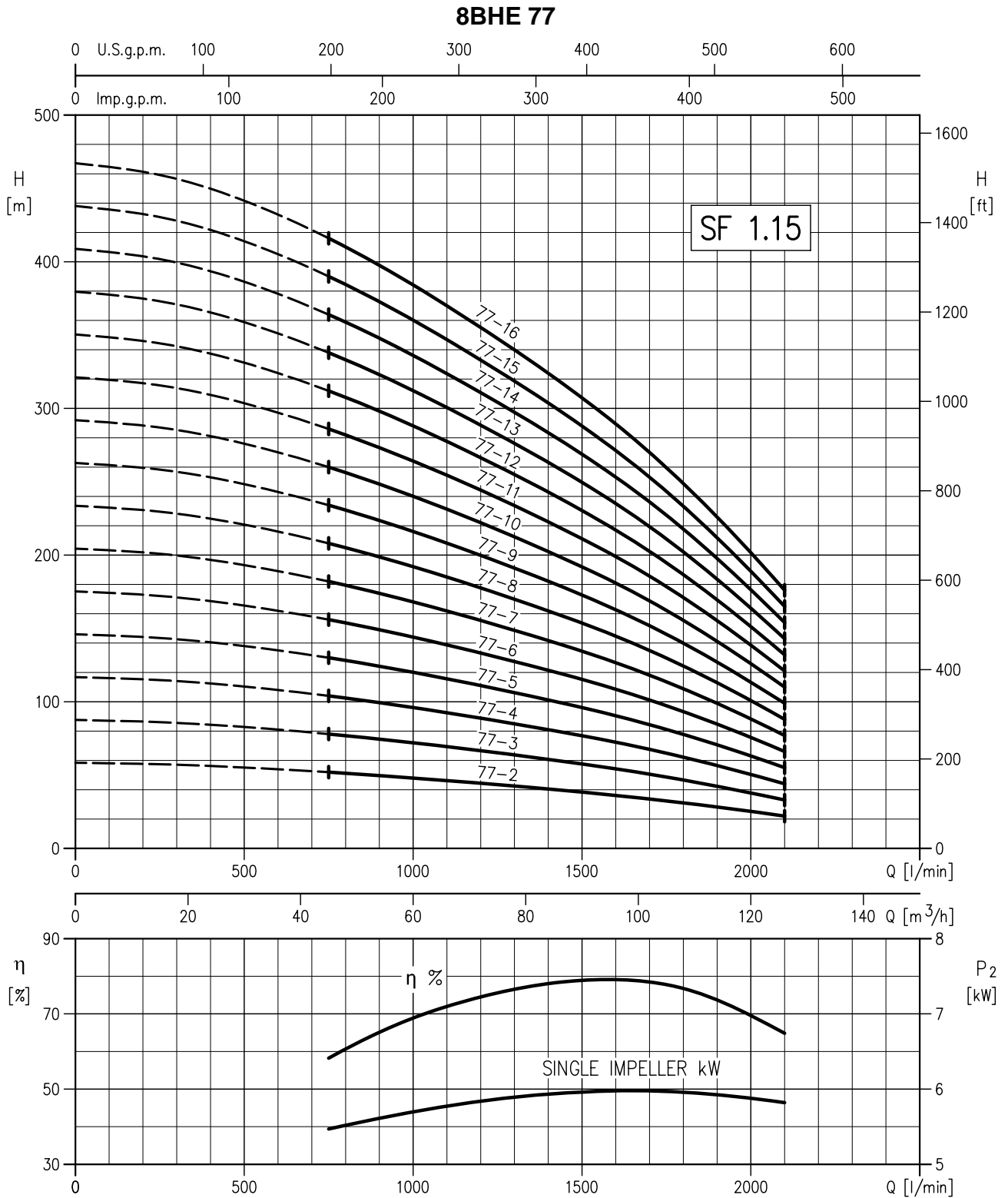


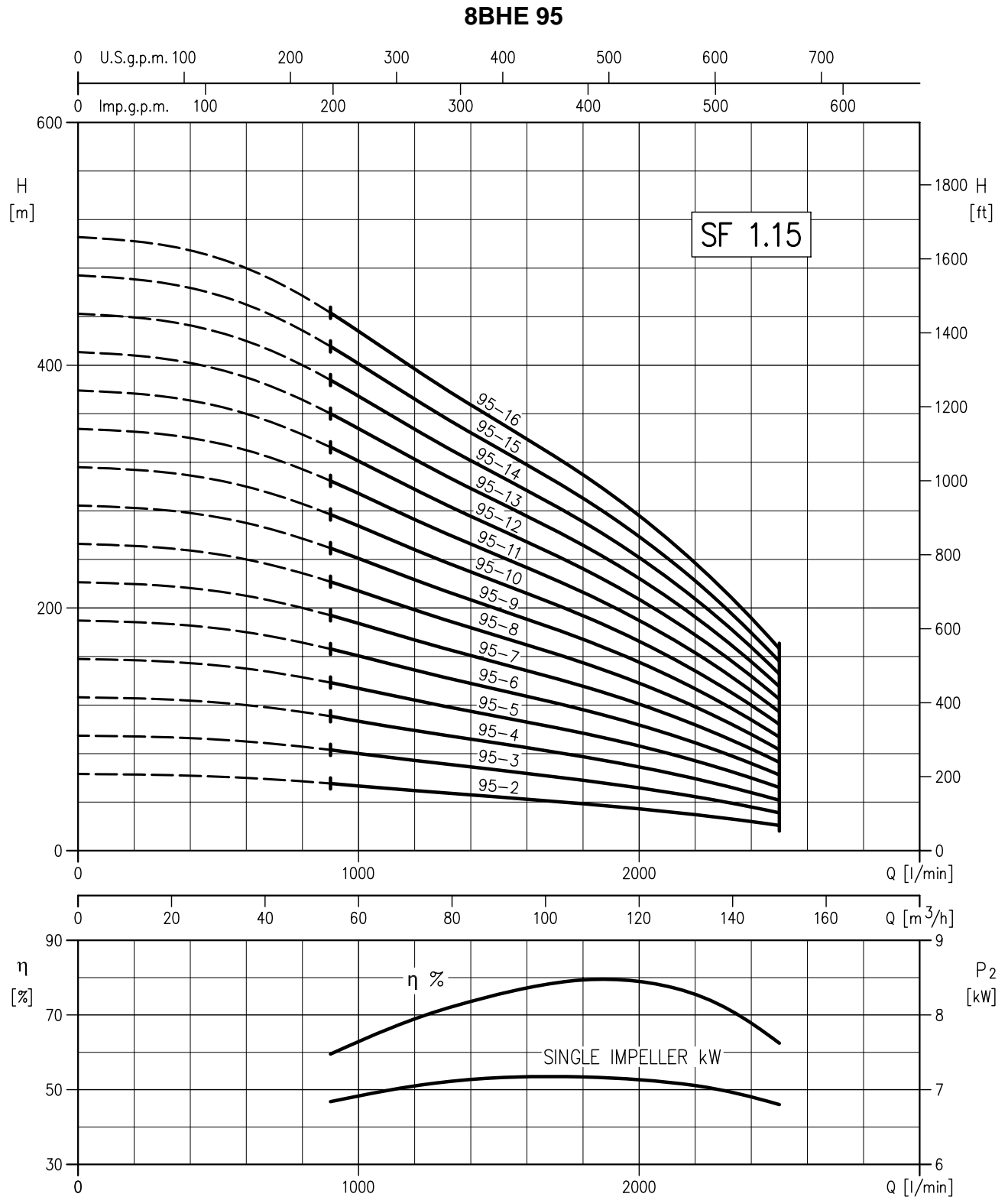




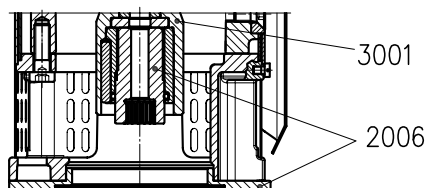
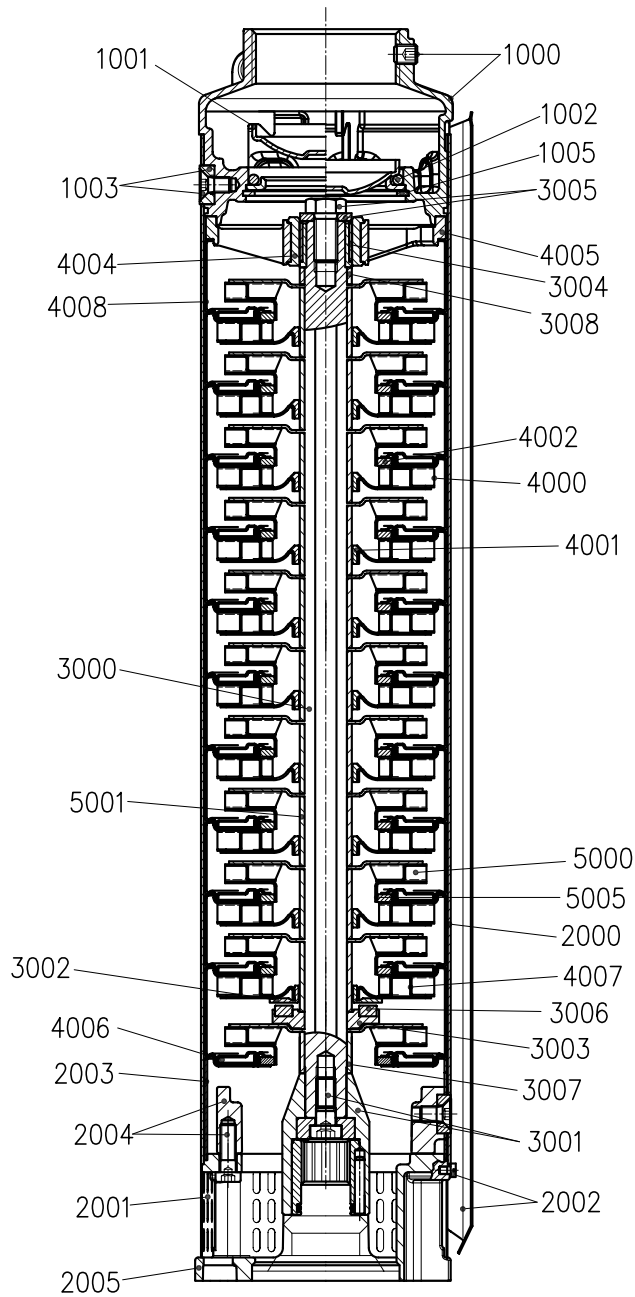






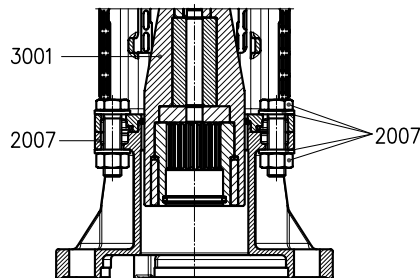
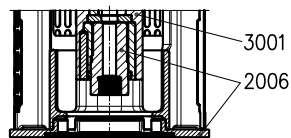
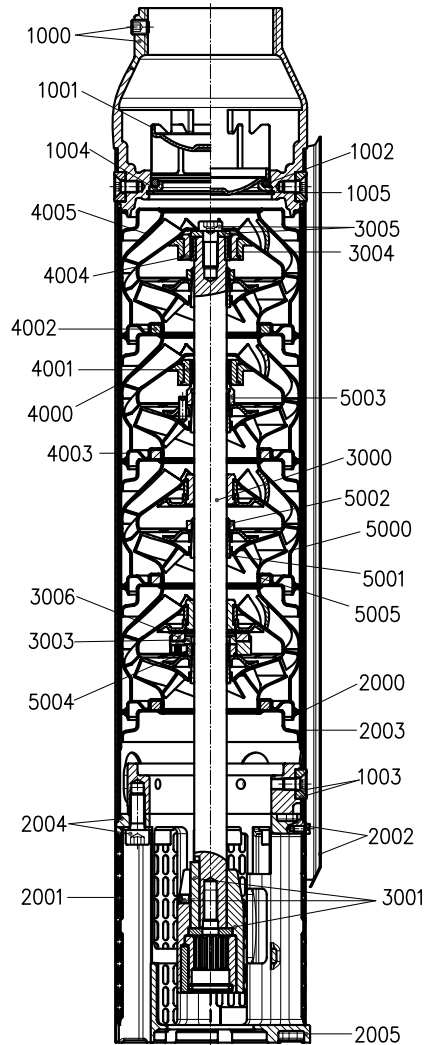


SECTIONAL VIEW 6BHE 13-20



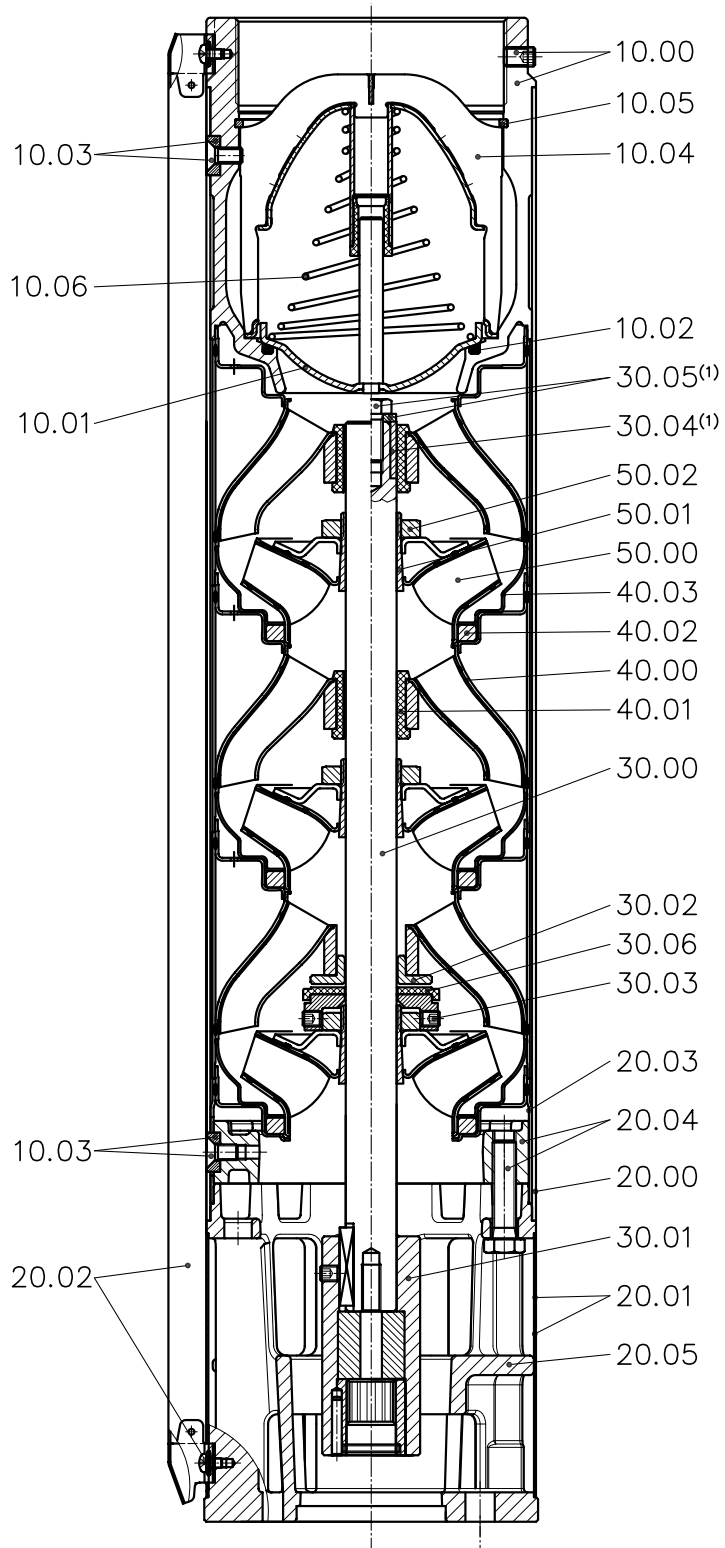
N°	PART NAME	MATERIAL	Q.TY
1000	Discharge head and screw	Stainless steel (AISI 304)	-
1001	Valve	Stainless steel (AISI 316)	-
1002	O-ring	Nitrile rubber (NBR)	-
1003	Screws and outer case locking nuts	Stainless steel (AISI 316)	-
1004	Valve support	Stainless steel (AISI 316)	-
1005	Seeger ring	Stainless steel (AISI 316)	-
2000	Outer case	Stainless steel (AISI 304)	-
2001	Suction strainer	Stainless steel (AISI 316)	-
2002	Cable guard and screws	Stainless steel (AISI 316)	-
2003	Initial spacer	Stainless steel (AISI 304)	-
2004	Flange and bolts	Stainless steel (AISI 304)	-
2005	Motor adapter	Stainless steel (AISI 304)	-
2006	4" motor flange/coupling adapter		-
3000	Pump shaft	Stainless steel (AISI 431)	-
3001	Coupling	Stainless steel (AISI 431/329)	-
3002	Upper up-thrust washer	Stainless steel (AISI 316)	-
3003	Lower up-thrust washer	Stainless steel (AISI 316)	-
3004	Upper journal sleeve	Stainless steel (AISI 329) with ceramic coating	-
3005	Screw and washer	Stainless steel (AISI 316)	-
3006	Up-thrust ring	Teflon (PTFE)	-
3007	Lower spacer	Stainless steel (AISI 316)	-
3008	Upper spacer	Stainless steel (AISI 316)	-
4000	Diffusers	Stainless steel (AISI 304)	-
4001	Secondary bearing bush	Nitrile rubber (NBR)	-
4002	Floating neck ring	Teflon (PTFE)	-
4004	Bearing bush	Nitrile rubber (NBR)	-
4005	Upper bearing guide	Stainless steel (AISI 316)	-
4006	First diffuser	Stainless steel (AISI 316)	-
4007	Diffuser with upper up-thrust washer	Stainless steel (AISI 316)	-
4008	Last diffuser	Stainless steel (AISI 316)	-
5000	Impeller	Stainless steel (AISI 304)	-
5001	Secondary journal sleeve	Stainless steel (AISI 316)	-
5005	Wear ring	Stainless steel (AISI 304)	-

SECTIONAL VIEW 6BHE 32-48-64



N°	PART NAME	MATERIAL	Q.TY
1000	Discharge head and screw	Stainless steel (AISI 304)	-
1001	Valve	Stainless steel (AISI 316)	-
1002	O-ring	Nitrile rubber (NBR)	--
1003	Screw s and outer case locking nuts	Stainless steel (AISI 316)	-
1004	Valve support	Stainless steel (AISI 316)	-
1005	Seeger ring	Stainless steel (AISI 316)	-
2000	Outer case	Stainless steel (AISI 304)	-
2001	Suction strainer	Stainless steel (AISI 316)	-
2002	Cable guard and screw s	Stainless steel (AISI 316)	-
2003	Initial spacer	Stainless steel (AISI 304)	-
2004	Flange and bolts	Stainless steel (AISI 304)	-
2005	Motor adapter	Stainless steel (AISI 304)	-
2006	4" motor flange/coupling adapter		-
2007	8"Motor adapter/bolts and washer	Stainless steel (AISI 431)	-
3000	Pump shaft	Stainless steel (AISI 431/329)	-
3001	Coupling	Stainless steel (AISI 316)	-
3003	Low er up-thrust washer	Stainless steel (AISI 316)	-
3004	Upper journal sleeve	Stainless steel (AISI 329) with ceramic coating	-
3005	Screw and washer	Stainless steel (AISI 316)	-
3006	Up-thrust ring	Teflon (PTFE)	-
4000	Diffusers	Stainless steel (AISI 304)	-
4001	Secondary bearing bush	Nitrile rubber (NBR)	-
4002	Floating neck ring	Teflon (PTFE)	-
4003	Flange clamping neck ring	Steinless steel (AISI 304)	-
4004	Bearing bush	Nitrile rubber (NBR)	-
4005	Last/intermediate diffuser	Stainless steel (AISI 316)	-
5000	Impeller	Stainless steel (AISI 304)	-
5001	Split cone	Stainless steel (AISI 316)	-
5002	Split cone nut	Stainless steel (AISI 316)	-
5003	Intermediate split cone nut	Stainless steel (AISI 316)	-
5004	Up-thrust split cone nut	Stainless steel (AISI 304)	-
5005	Wear ring	Stainless steel (AISI 304)	-

SECTIONAL VIEW 8BHE 77-95

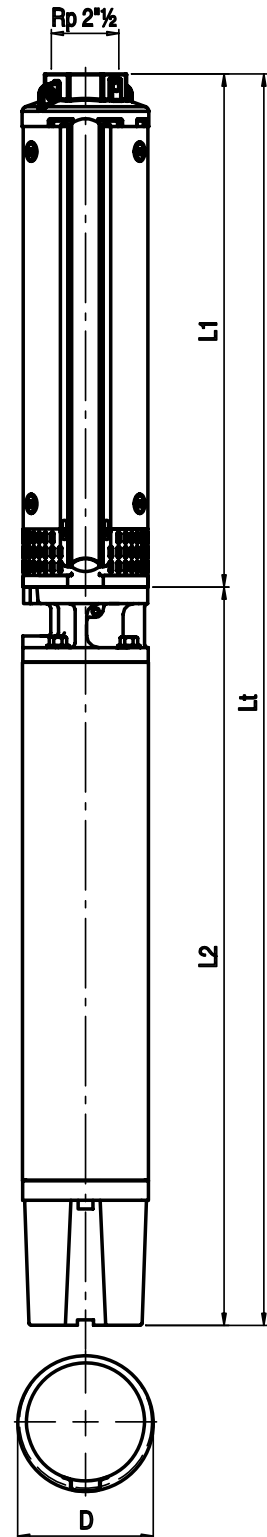


N°	PART NAME	MATERIAL		Q.TY
		Standard version	L version	
1000	Discharge head 5"	EN 1.4301 (AISI 304)	EN 1.4401 (AISI 316)	-
1001	Valve	EN 1.4401 (AISI 316)	EN 1.4401 (AISI 316)	-
1002	O-Ring	Nitrile rubber (NBR)	Nitrile rubber (NBR)	-
1003	Screw and inserts locking outer case	EN 1.4401 (AISI 316)	EN 1.4401 (AISI 316)	-
1004	Valve seat	EN 1.4401 (AISI 316)	EN 1.4401 (AISI 316)	-
1005	Seeger Ring	EN 1.4401 (AISI 316)	EN 1.4401 (AISI 316)	-
1006	Spring	EN 1.4401 (AISI 316)	EN 1.4401 (AISI 316)	-
2000	Outer casing	EN 1.4301 (AISI 304)	EN 1.4401 (AISI 316)	-
2001	Strainer	EN 1.4401 (AISI 316)	EN 1.4401 (AISI 316)	-
2002	Cable cover	EN 1.4401 (AISI 316)	EN 1.4401 (AISI 316)	-
2003	Spacer	EN 1.4401 (AISI 316)	EN 1.4401 (AISI 316)	-
2004	Flange and bolt	EN 1.4301 (AISI 304)	EN 1.4401 (AISI 316)	-
2005	Motor bracket	EN 1.4301 (AISI 304)	EN 1.4401 (AISI 316)	-
3000	Shaft	EN 1.4460 (AISI 329)	EN 1.4460 (AISI 329)	-
3001	Motor coupling	EN 1.4057 (AISI 431) + EN 1.4460 (AISI 329)	EN 1.4401 (AISI 316) + EN 1.4460 (AISI 329)	-
3002	Upper Up-thrust washer	EN 1.4460 (AISI 329)	EN 1.4460 (AISI 329)	-
3003	Lower Up-thrust washer	EN 1.4460 (AISI 329)	EN 1.4460 (AISI 329)	-
3004	Upper shaft sleeve (1)	Stainless steel with ceramic casting	Stainless steel with ceramic casting	-
3005	Screw and washer (1)	EN 1.4401 (AISI 316)	EN 1.4401 (AISI 316)	-
3006	Up-thrust disc	Teflon (PTFE)	Teflon (PTFE)	-
4000	Stage	EN 1.4301 (AISI 304)	EN 1.4401 (AISI 316)	-
4001	Intermediate bearing bush	Nitrile rubber (NBR)	Nitrile rubber (NBR)	-
4002	Liner ring	Teflon (PTFE)	Teflon (PTFE)	-
4003	Flange	EN 1.4401 (AISI 316)	EN 1.4401 (AISI 316)	-
5000	Impeller	EN 1.4401 (AISI 316)	EN 1.4401 (AISI 316)	-
5001	Split cone	EN 1.4401 (AISI 316)	EN 1.4401 (AISI 316)	-
5002	Split cone nut	EN 1.4401 (AISI 316)	EN 1.4401 (AISI 316)	-

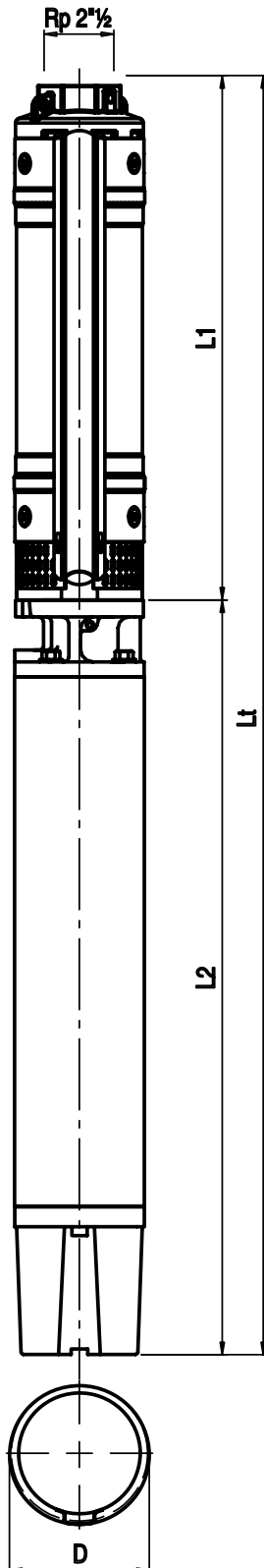
PUMP 6BHE 13

4" Encapsulated Water Filled Motor						
Pump type	Dimensions [mm]					Weight [kgf]
	L1	L2	Lt	D		
				1 CABLE	2 CABLES	
6BHE 13-5	413.5	520	933.5	142.5	-	30,5
6BHE 13-6	443.5	652.5	1096	142.5	-	39,5
6BHE 13-7	473.5	652.5	1126	142.5	-	39,5
6BHE 13-8	503.5	652.5	1156	142.5	-	40,5
6BHE 13-9	533.5	730.5	1264	142.5	-	45
6BHE 13-10	563.5	730.5	1294	142.5	-	45,5
6BHE 13-11	593.5	730.5	1324	142.5	-	46,5

6" Encapsulated Water Filled Motor						
Pump type	Dimensions [mm]					Weight [kgf]
	L1	L2	Lt	D		
				1 CABLE	2 CABLES	
6BHE 13-5	411	581	992	143	144.5	49
6BHE 13-6	441	614.5	1055.5	143	144.5	53,5
6BHE 13-7	471	614.5	1085.5	143	144.5	54
6BHE 13-8	501	614.5	1115.5	143	144.5	55
6BHE 13-9	531	646	1177	143	144.5	59,5
6BHE 13-10	561	646	1207	143	144.5	60
6BHE 13-11	591	646	1237	143	144.5	61
6BHE 13-12	621	678.5	1299.5	143	144.5	64.5
6BHE 13-13	651	678.5	1329.5	143	144.5	65
6BHE 13-14	681	711	1392	143	144.5	69.5
6BHE 13-15	711	711	1422	143	144.5	70
6BHE 13-16	741	711	1452	143	144.5	71
6BHE 13-17	771	711	1482	143	144.5	71.5
6BHE 13-18	801	776	1577	143	144.5	78
6BHE 13-19	831	776	1607	143	144.5	78.5
6BHE 13-20	861	776	1637	143	144.5	79.5
6BHE 13-21	891	776	1667	143	144.5	80
6BHE 13-22	921	776	1697	143	144.5	80.5
6BHE 13-23	951	841.5	1792.5	143	144.5	88.5
6BHE 13-24	981	841.5	1822.5	143	144.5	89
6BHE 13-25	1011	841.5	1852.5	143	144.5	90
6BHE 13-26	1041	841.5	1882.5	143	144.5	90.5
6BHE 13-27	1071	841.5	1912.5	143	144.5	92.5
6BHE 13-28	1101	841.5	1942.5	143	144.5	92.5
6BHE 13-29	1131	906.5	2037.5	143	144.5	100
6BHE 13-30	1161	906.5	2067.5	143	144.5	100.5
6BHE 13-31	1191	906.5	2097.5	143	144.5	100.5
6BHE 13-32	1220.5	906.5	2127	143	144.5	101
6BHE 13-33	1250.5	1036.5	2287	145	146.5	116.5
6BHE 13-34	1280.5	1036.5	2317	145	146.5	117.5
6BHE 13-35	1310.5	1036.5	2347	145	146.5	118
6BHE 13-36	1340.5	1036.5	2377	145	146.5	118.5
6BHE 13-37	1370.5	1036.5	2407	145	146.5	119.5
6BHE 13-38	1400.5	1036.5	2437	145	146.5	120
6BHE 13-39	1430.5	1036.5	2467	145	146.5	121.5
6BHE 13-40	1460.5	1036.5	2497	145	146.5	122.5
6BHE 13-41	1490.5	1036.5	2527	145	146.5	123
6BHE 13-42	1520.5	1036.5	2557	145	146.5	123



PUMP 6BHE 20



4" Encapsulated Water Filled Motor						
Pump type	Dimensions [mm]					Weight [kgf]
	L1	L2	Lt	D		
				1 CABLE	2 CABLES	
6BHE 20-3	385	477	862	142,5	-	27
6BHE 20-4	422,5	652,5	1075	142,5	-	38
6BHE 20-5	460	652,5	1112,5	142,5	-	39
6BHE 20-6	497,5	730,5	1228	142,5	-	43
6BHE 20-7	535	730,5	1265,5	142,5	-	44

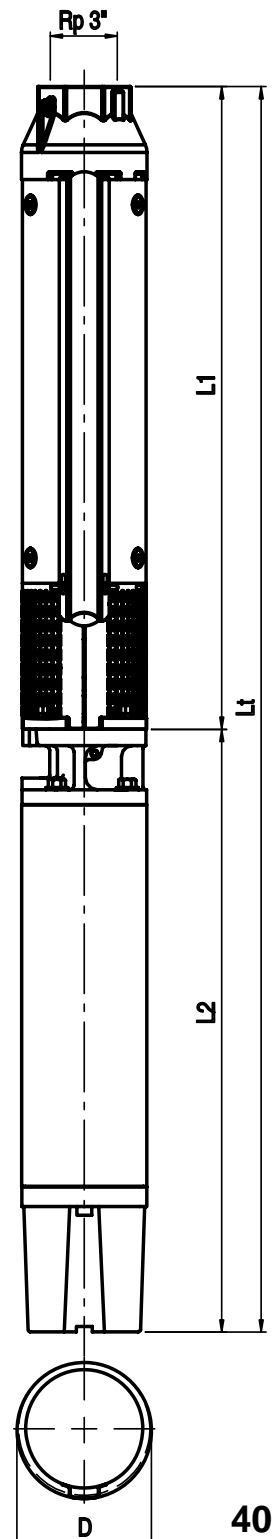
6" Encapsulated Water Filled Motor						
Pump type	Dimensions [mm]					Weight [kgf]
	L1	L2	Lt	D		
				1 CABLE	2 CABLES	
6BHE 20-3	382,5	581	581	143	144,5	48
6BHE 20-4	420	614,5	614,5	143	144,5	52
6BHE 20-5	457,5	614,5	614,5	143	144,5	53
6BHE 20-6	495	646	1141	143	144,5	57,5
6BHE 20-7	532,5	646	1178,5	143	144,5	58,5
6BHE 20-8	570	678,5	1248,5	143	144,5	62
6BHE 20-9	607,5	678,5	1286	143	144,5	62,5
6BHE 20-10	645	711	1356	143	144,5	67
6BHE 20-11	682,5	711	1393,5	143	144,5	68
6BHE 20-12	720	776	1496	143	144,5	74
6BHE 20-13	757,5	776	1533,5	143	144,5	75
6BHE 20-14	795	776	1571	143	144,5	76
6BHE 20-15	832,5	776	1608,5	143	144,5	76,5
6BHE 20-16	870	841,5	1711,5	143	144,5	84,5
6BHE 20-17	907,5	841,5	1749	143	144,5	85,5
6BHE 20-18	945	841,5	1786,5	143	144,5	86
6BHE 20-19	982,5	906,5	1889	143	144,5	93
6BHE 20-20	1020	906,5	1926,5	143	144,5	93,5
6BHE 20-21	1057,5	906,5	1964	143	144,5	94,5
6BHE 20-22	1095	906,5	2001,5	143	144,5	95,5
6BHE 20-23	1132,5	1036,5	2169	143	144,5	110,5
6BHE 20-24	1170	1036,5	2206,5	143	144,5	111,5
6BHE 20-25	1207,5	1036,5	2244	143	144,5	112,5
6BHE 20-26	1245	1036,5	2281,5	143	144,5	113
6BHE 20-27	1282,5	1036,5	2319	143	144,5	115
6BHE 20-28	1319,5	1036,5	2356	143	144,5	115
6BHE 20-29	1357	1036,5	2393,5	143	144,5	115,5
6BHE 20-30	1394,5	1036,5	2431	143	144,5	116,5
6BHE 20-31	1432	1421,5	2853,5	145	146,5	171,5
6BHE 20-32	1469,5	1421,5	2891	145	146,5	172
6BHE 20-33	1507	1421,5	2928,5	145	146,5	173
6BHE 20-34	1544,5	1421,5	2966	145	146,5	173,5
6BHE 20-35	1582	1421,5	3003,5	145	146,5	174,5
6BHE 20-36	1619,5	1421,5	3041	145	146,5	175
6BHE 20-37	1657	1574	3231	145	146,5	190,5
6BHE 20-38	1694,5	1574	3268,5	145	146,5	192
6BHE 20-39	1732	1574	3306	145	146,5	192
6BHE 20-40	1769,5	1574	3343,5	145	146,5	192,5
6BHE 20-41	1807	1574	3381	145	146,5	194
6BHE 20-42	1844,5	1574	3418,5	145	146,5	195

PUMP 6BHE 32

4" Encapsulated Water Filled Motor						
Pump type	Dimensions [mm]					Weight [kgf]
	L1	L2	Lt	D		
				1 CABLE	2CABLES	
6BHE 32-3	622	652,5	1274,5	142,5	-	41,5
6BHE 32-4	707,5	730,5	1438	142,5	-	47,5

6" Encapsulated Water Filled Motor						
Pump type	Dimensions [mm]					Weight [kgf]
	L1	L2	Lt	D		
				1 CABLE	2CABLES	
6BHE 32-3	620	614,5	1234,5	143	144,5	55,5
6BHE 32-4	705,5	646	1351,5	143	144,5	62
6BHE 32-5	790,5	678,5	1469	143	144,5	66,5
6BHE 32-6	876	711	1587	143	144,5	72
6BHE 32-7	961,5	776	1737,5	143	144,5	79,5
6BHE 32-8	1047	776	1823	143	144,5	82
6BHE 32-9	1132,5	841,5	1974	143	144,5	91
6BHE 32-10	1218	841,5	2059,5	143	144,5	93
6BHE 32-11	1303,5	906,5	2210	143	144,5	101
6BHE 32-12	1389	906,5	2295,5	143	144,5	103
6BHE 32-13	1474,5	1036,5	2511	143	144,5	119,5
6BHE 32-14	1560	1036,5	2596,5	143	144,5	122
6BHE 32-15	1645,5	1036,5	2682	143	144,5	124
6BHE 32-16	1730,5	1036,5	2767	143	144,5	126
6BHE 32-17	1816	1421,5	3237,5	143	144,5	182
6BHE 32-18	1901,5	1421,5	3323	143	144,5	184
6BHE 32-19	1987	1421,5	3408,5	143	144,5	186
6BHE 32-20	2072,5	1421,5	3494	143	144,5	188,5
6BHE 32-21	2157,5	1574	3731,5	143	144,5	204,5
6BHE 32-22	2243	1574	3817	143	144,5	206,5
6BHE 32-23	2328,5	1574	3902,5	143	144,5	208,5
6BHE 32-24	2414	1574	3988	143	144,5	210,5

8" Encapsulated Water Filled Motor						
Pump type	Dimensions [mm]					Weight [kgf]
	L1	L2	Lt	D		
				1 CABLE	2CABLES	
6BHE 32-25	2599	1204	3803	190,5	190,5	243
6BHE 32-26	2684,5	1204	3888,5	190,5	190,5	245
6BHE 32-27	2770	1204	3974	190,5	190,5	247,5
6BHE 32-28	2855	1204	4059	190,5	190,5	249,5

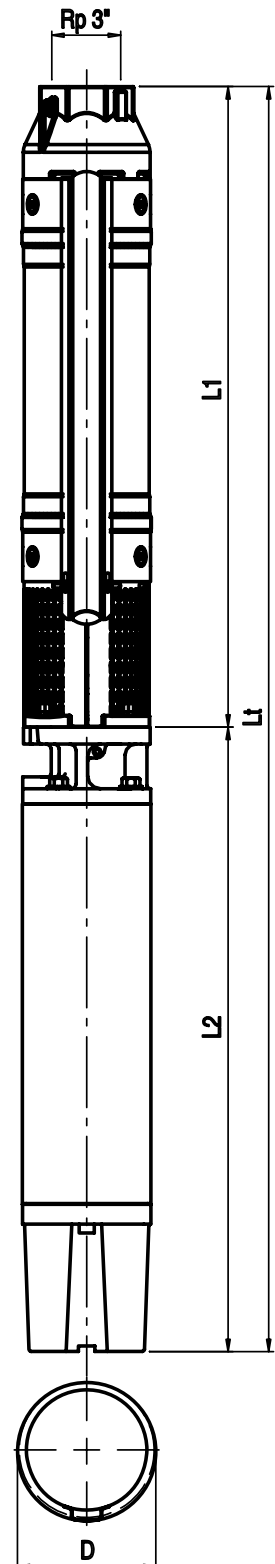


PUMP 6BHE 48

4" Encapsulated Water Filled Motor						
Pump type	Dimensions [mm]					Weight [kgf]
	L1	L2	Lt	1 CABLE	D 2 CABLES	
6BHE 48-2	593,5	652,5	1246	142,5	-	40,5
6BHE 48-3	707,5	730,5	1438	142,5	-	47

6" Encapsulated Water Filled Motor						
Pump type	Dimensions [mm]					Weight [kgf]
	L1	L2	Lt	1 CABLE	D 2 CABLES	
6BHE 48-2	591,5	614,5	1206	143	144,5	54,5
6BHE 48-3	705,5	646	1351,5	143	144,5	61
6BHE 48-4	819,5	678,5	1498	143	144,5	66,5
6BHE 48-5	933,5	711	1644,5	143	144,5	72,5
6BHE 48-6	1047	776	1823	143	144,5	80,5
6BHE 48-7	1161	776	1937	143	144,5	83
6BHE 48-8	1275	841,5	2116,5	143	144,5	92,5
6BHE 48-9	1389	841,5	2230,5	143	144,5	95,5
6BHE 48-10	1503	906,5	2409,5	143	144,5	104
6BHE 48-11	1617	906,5	2523,5	143	144,5	106,5
6BHE 48-12	1730,5	1036,5	2767	143	144,5	123,5
6BHE 48-13	1844,5	1036,5	2881	143	144,5	126
6BHE 48-14	1958,5	1036,5	2995	143	144,5	129
6BHE 48-15	2072,5	1421,5	3494	143	144,5	185,5
6BHE 48-16	2186	1421,5	3607,5	143	144,5	188
6BHE 48-17	2300	1421,5	3721,5	143	144,5	190,5
6BHE 48-18	2414	1421,5	3835,5	143	144,5	193,5
6BHE 48-19	2527,5	1574	4101,5	143	144,5	210
6BHE 48-20	2641,5	1574	4215,5	143	144,5	212,5
6BHE 48-21	2755	1574	4329	143	144,5	215

8" Encapsulated Water Filled Motor						
Pump type	Dimensions [mm]					Weight [kgf]
	L1	L2	Lt	1 CABLE	D 2 CABLES	
6BHE 48-23	3083	1204	4287	190,5	190,5	249,5
6BHE 48-24	3196,5	1204	4400,5	190,5	190,5	252
6BHE 48-25	3310,5	1204	4514,5	190,5	190,5	254,5
6BHE 48-26	3424	1204	4628	190,5	190,5	257,5

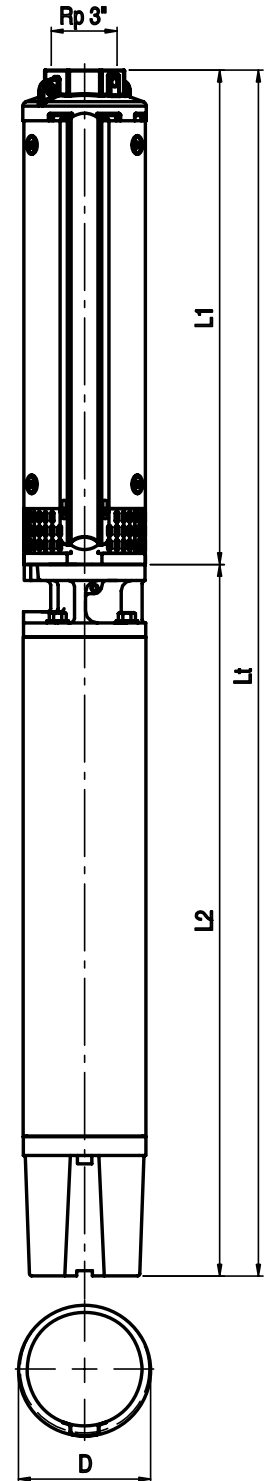


PUMP 6BHE 64

4" Encapsulated Water Filled Motor						
Pump type	Dimensions [mm]					Weight [kgf]
	L1	L2	Lt	D		
				1 CABLE	2 CABLES	
6BHE 64-2	593,5	652,5	1246	142,5	-	40,5

6" Encapsulated Water Filled Motor						
Pump type	Dimensions [mm]					Weight [kgf]
	L1	L2	Lt	D		
				1 CABLE	2 CABLES	
6BHE 64-2	591,5	614,5	1206	143	144,5	54,5
6BHE 64-3	705,5	678,5	1384	143	144,5	63,5
6BHE 64-4	819,5	711	1530,5	143	144,5	70
6BHE 64-5	933,5	776	1709,5	143	144,5	78
6BHE 64-6	1047	776	1823	143	144,5	80,5
6BHE 64-7	1161	841,5	2002,5	143	144,5	90
6BHE 64-8	1275	906,5	2181,5	143	144,5	99
6BHE 64-9	1389	1036,5	2425,5	143	144,5	116
6BHE 64-10	1503	1036,5	2539,5	143	144,5	118,5
6BHE 64-11	1617	1036,5	2653,5	143	144,5	121
6BHE 64-12	1730,5	1421,5	3152	143	144,5	177,5
6BHE 64-13	1844,5	1421,5	3266	143	144,5	180,5
6BHE 64-14	1958,5	1421,5	3380	143	144,5	183
6BHE 64-15	2072,5	1574	3646,5	143	144,5	199,5
6BHE 64-16	2186	1574	3760	143	144,5	202
6BHE 64-17	2300	1574	3874	143	144,5	205
6BHE 64-18	2414	1574	3988	143	144,5	207,5

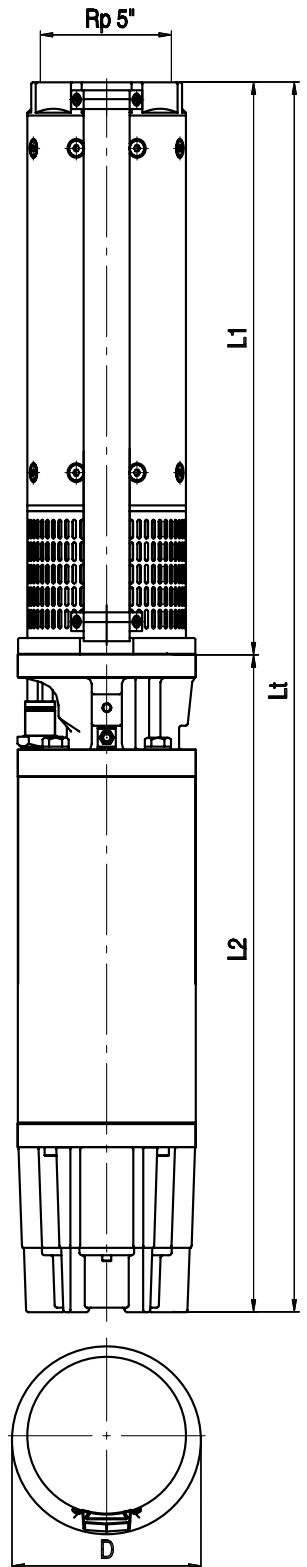
8" Encapsulated Water Filled Motor						
Pump type	Dimensions [mm]					Weight [kgf]
	L1	L2	Lt	D		
				1 CABLE	2 CABLES	
6BHE 64-19	2627,5	1204	3831,5	190,5	190,5	239
6BHE 64-20	2741,5	1204	3945,5	190,5	190,5	241,5
6BHE 64-21	2855	1204	4059	190,5	190,5	244,5



PUMP 8 BHE 77

6" Encapsulated Water Filled Motor						
Pump type	Dimensions [mm]					Weight [kgf]
	L1	L2	Lt	1 CABLE	D 2 CABLES	
86 BHE 77-2	644	711	1355	186.5	192	82.5
86 BHE 77-3	770	841.5	1611.5	186.5	192	100
86 BHE 77-4	896	906.5	1802.5	186.5	192	111
86 BHE 77-5	1022	1036.5	2058.5	186.5	192	130
86 BHE 77-6	1148	1421.5	2569.5	186.5	192	189
86 BHE 77-7	1274	1421.5	2695.5	186.5	192	194
86 BHE 77-8	1400	1574	2974	186.5	192	213

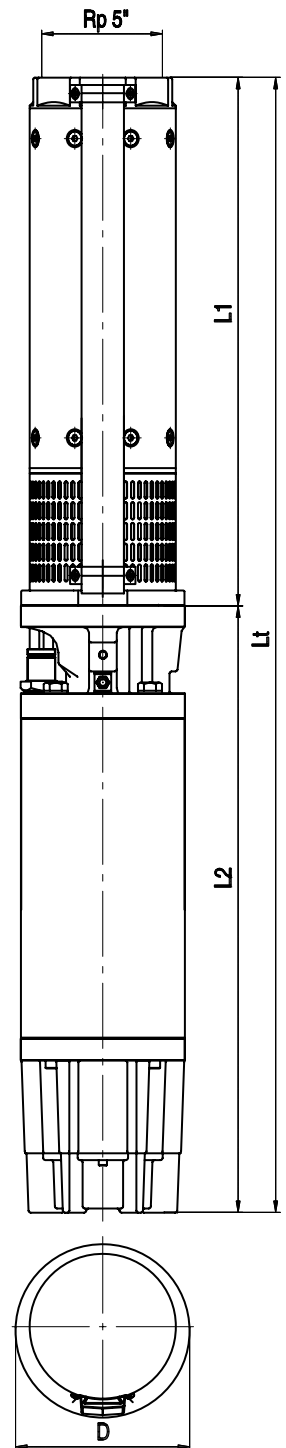
8" Encapsulated Water Filled Motor						
Pump type	Dimensions [mm]					Weight [kgf]
	L1	L2	Lt	1 CABLE	D 2 CABLES	
86 BHE 77-9	1531	1204	2735	195	197.5	242
86 BHE 77-10	1657	1204	2861	195	197.5	247
86 BHE 77-11	1783	1395	3178	195	197.5	290
86 BHE 77-12	1909	1395	3304	195	197.5	295
86 BHE 77-13	2035	1395	3430	195	197.5	300
86 BHE 77-14	2161	1747	3908	195	197.5	383
86 BHE 77-15	2287	1747	4034	195	197.5	388
86 BHE 77-16	2413	1747	4160	195	197.5	392.5



PUMP 8 BHE 95

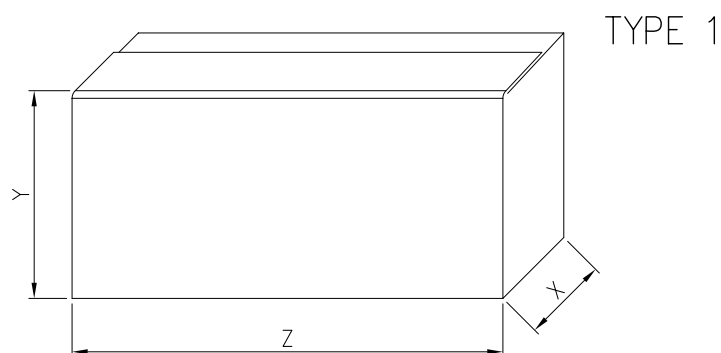
6" Encapsulated Water Filled Motor						
Pump type	Dimensions [mm]					Weight [kgf]
	L1	L2	Lt	D 1 CABLE	D 2 CABLES	
86 BHE 95-2	644	776	1420	186.5	192	88
86 BHE 95-3	770	906.5	1676.5	186.5	192	106
86 BHE 95-4	896	1036.5	1932.5	186.5	192	125.5
86 BHE 95-5	1022	1421.5	2443.5	186.5	192	184
86 BHE 95-6	1148	1421.5	2569.5	186.5	192	189
86 BHE 95-6	1274	1574	2848	186.5	192	208

8" Encapsulated Water Filled Motor						
Pump type	Dimensions [mm]					Weight [kgf]
	L1	L2	Lt	D 1 CABLE	D 2 CABLES	
86 BHE 95-8	1405	1204	2609	195	197.5	137.5
86 BHE 95-9	1531	1395	2926	195	197.5	280
86 BHE 95-10	1657	1395	3052	195	197.5	285
86 BHE 95-11	1783	1395	3178	195	197.5	290
86 BHE 95-12	1909	1747	3656	195	197.5	373
86 BHE 95-13	2035	1747	3782	195	197.5	378
86 BHE 95-14	2161	1747	3908	195	197.5	383
86 BHE 95-15	2287	1975.5	4262.5	195	197.5	431
86 BHE 95-16	2413	1975.5	4388.5	195	197.5	435.5



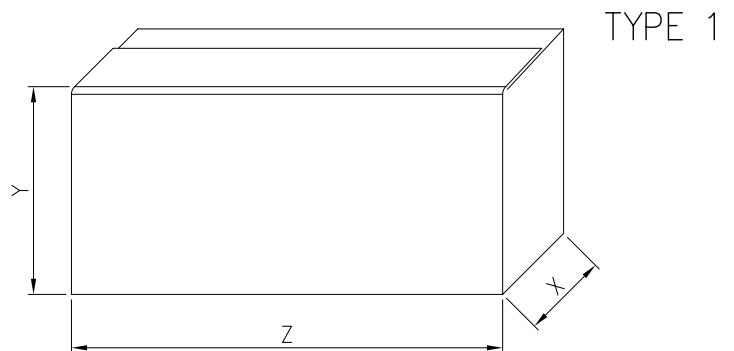
PACKING 6BHE 13

Pump type	Dimensions [mm]			Weight [kgf]	Type
	X	Y	Z		
6BHE 13-5	160	160	600	12,73	1
6BHE 13-6	160	160	600	13,56	1
6BHE 13-7	160	160	600	14,39	1
6BHE 13-8	160	160	600	15,23	1
6BHE 13-9	160	160	600	16,05	1
6BHE 13-10	160	160	800	17,09	1
6BHE 13-11	160	160	800	17,92	1
6BHE 13-12	160	160	800	18,75	1
6BHE 13-13	160	160	800	19,58	1
6BHE 13-14	160	160	800	20,42	1
6BHE 13-15	160	160	800	21,24	1
6BHE 13-16	160	160	800	22,28	1
6BHE 13-17	160	160	1200	23,11	1
6BHE 13-18	160	160	1200	23,99	1
6BHE 13-19	160	160	1200	24,82	1
6BHE 13-20	160	160	1200	25,66	1
6BHE 13-21	160	160	1200	26,47	1
6BHE 13-22	160	160	1200	27,31	1
6BHE 13-23	160	160	1200	28,15	1
6BHE 13-24	160	160	1200	28,98	1
6BHE 13-25	160	160	1200	29,81	1
6BHE 13-26	160	160	1200	30,64	1
6BHE 13-27	160	160	1200	31,47	1
6BHE 13-28	160	160	1200	32,3	1
6BHE 13-29	160	160	1200	33,13	1
6BHE 13-30	160	160	1200	33,96	1
6BHE 13-31	160	200	1500	34,79	1
6BHE 13-32	160	200	1500	37,93	1
6BHE 13-33	160	200	1500	39,26	1
6BHE 13-34	160	200	1500	39,94	1
6BHE 13-35	160	200	1500	40,77	1
6BHE 13-36	160	200	1500	41,62	1
6BHE 13-37	160	200	1500	42,44	1
6BHE 13-38	160	200	1500	43,27	1
6BHE 13-39	160	200	1500	44,11	1
6BHE 13-40	160	200	1500	44,93	1
6BHE 13-41	160	200	1500	46,76	1
6BHE 13-42	160	200	1900	47,61	1



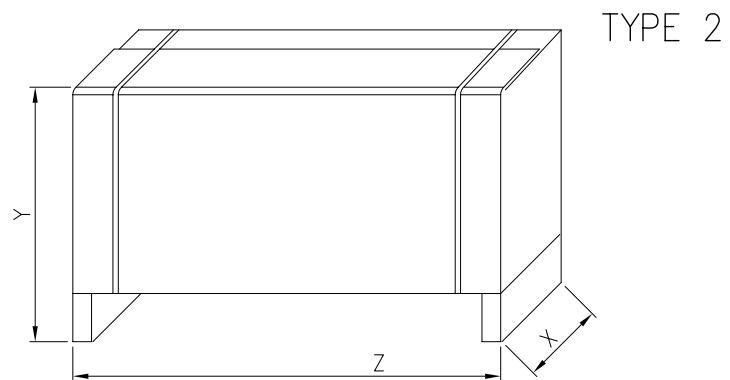
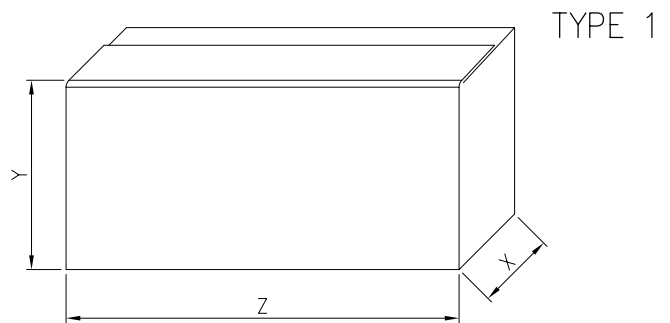
PACKING 6BHE 20

Pump type	Packing [mm]			Weight [kgf]	Type
	X	Y	Z		
6BHE 20-3	160	160	600	11.47	1
6BHE 20-4	160	160	600	12.39	1
6BHE 20-5	160	160	600	13.32	1
6BHE 20-6	160	160	600	14,24	1
6BHE 20-7	160	160	600	15,17	1
6BHE 20-8	160	160	800	16,29	1
6BHE 20-9	160	160	800	17,22	1
6BHE 20-10	160	160	800	18,14	1
6BHE 20-11	160	160	800	19,07	1
6BHE 20-12	160	160	800	19,99	1
6BHE 20-13	160	160	800	21,16	1
6BHE 20-14	160	160	1200	22.09	1
6BHE 20-15	160	160	1200	23.01	1
6BHE 20-16	160	160	1200	23.94	1
6BHE 20-17	160	160	1200	24.86	1
6BHE 20-18	160	160	1200	25.79	1
6BHE 20-19	160	160	1200	26.71	1
6BHE 20-20	160	160	1200	27.64	1
6BHE 20-21	160	160	1200	28.56	1
6BHE 20-22	160	160	1200	29.49	1
6BHE 20-23	160	160	1200	30.4	1
6BHE 20-24	160	200	1500	33.63	1
6BHE 20-25	160	200	1500	34.55	1
6BHE 20-26	160	200	1500	35.48	1
6BHE 20-27	160	200	1500	36.4	1
6BHE 20-28	160	200	1500	37.33	1
6BHE 20-29	160	200	1500	38.25	1
6BHE 20-30	160	200	1500	39.18	1
6BHE 20-31	160	200	1500	41.18	1
6BHE 20-32	160	200	1500	42.1	1
6BHE 20-33	160	200	1500	44.03	1
6BHE 20-34	160	200	1900	45	1
6BHE 20-35	160	200	1900	46	1
6BHE 20-36	160	200	1900	46.81	1
6BHE 20-37	160	200	1900	47.75	1
6BHE 20-38	160	200	1900	48.65	1
6BHE 20-39	160	200	1900	49.58	1
6BHE 20-40	160	200	1900	50.5	1
6BHE 20-41	160	200	1900	51.45	1
6BHE 20-42	160	200	1900	52.35	1



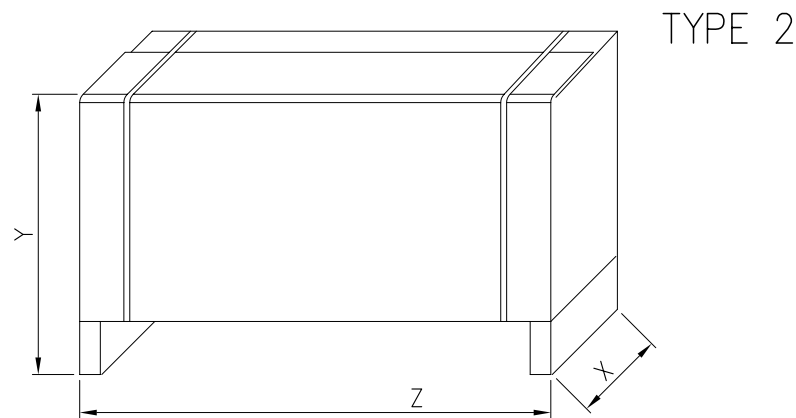
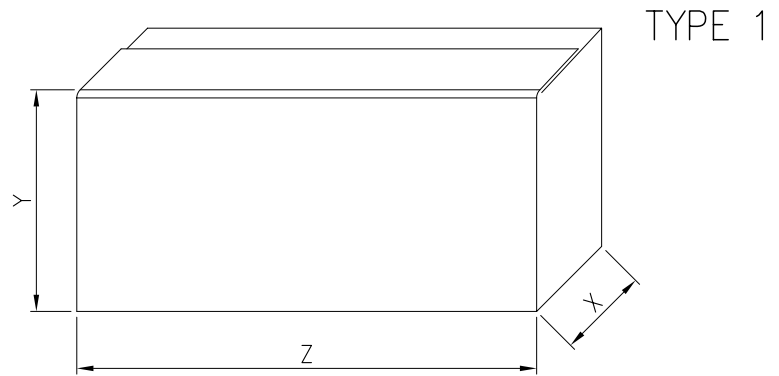
PACKING 6BHE 32

Pump type	Packing [mm]			Weight [kgf]	Type
	X	Y	Z		
6BHE 32-3	160	160	800	15,9	1
6BHE 32-4	160	160	800	18	1
6BHE 32-5	160	160	800	20,1	1
6BHE 32-6	160	160	1200	22,4	1
6BHE 32-7	160	160	1200	24,5	1
6BHE 32-8	160	160	1200	26,8	1
6BHE 32-9	160	160	1200	28,7	1
6BHE 32-10	160	200	1500	31,3	1
6BHE 32-11	160	200	1500	33,4	1
6BHE 32-12	160	200	1500	35,5	1
6BHE 32-13	160	200	1900	40,7	1
6BHE 32-14	160	200	1900	42,75	1
6BHE 32-15	160	200	1900	44,85	1
6BHE 32-16	160	200	1900	47	1
6BHE 32-17	160	200	1900	49	1
6BHE 32-18	160	200	2440	52,5	1
6BHE 32-19	160	200	2440	54,6	1
6BHE 32-20	160	200	2440	56,7	1
6BHE 32-21	160	200	2440	58,8	1
6BHE 32-22	160	200	2440	60,9	1
6BHE 32-23	160	200	2440	63	1
6BHE 32-24	160	200	2440	65,1	1
6BHE 32-25	150	200	4000	114,5	2
6BHE 32-26	150	200	4000	116,6	2
6BHE 32-27	150	200	4000	118,7	2
6BHE 32-28	150	200	4000	120,8	2



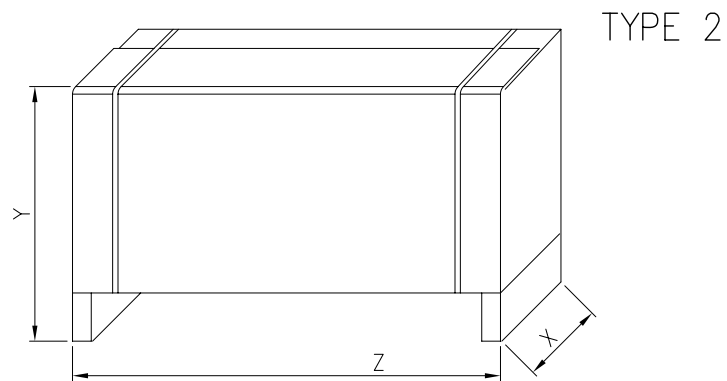
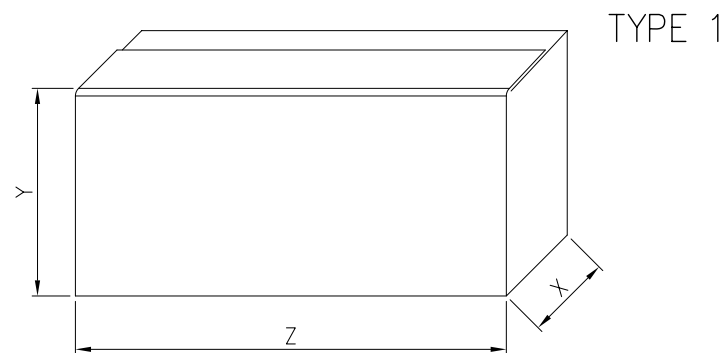
PACKING 6BHE 48

Pump type	Packing [mm]			Weight [kgf]	Type
	X	Y	Z		
6BHE 48-2	160	160	800	15	1
6BHE 48-3	160	160	800	17,3	1
6BHE 48-4	160	160	1200	20,4	1
6BHE 48-5	160	160	1200	23	1
6BHE 48-6	160	160	1200	25,3	1
6BHE 48-7	160	200	1500	28,4	1
6BHE 48-8	160	200	1500	31	1
6BHE 48-9	160	200	1500	33,3	1
6BHE 48-10	160	200	1900	39.3	1
6BHE 48-11	160	200	1900	42	1
6BHE 48-12	160	200	1900	44.5	1
6BHE 48-13	160	200	1900	47.2	1
6BHE 48-14	160	200	2400	51.2	1
6BHE 48-15	160	200	2400	53.7	1
6BHE 48-16	160	200	2400	56.4	1
6BHE 48-17	160	200	2400	59	1
6BHE 48-18	160	200	2400	61.6	1
6BHE 48-19	160	200	3250	66.4	1
6BHE 48-20	160	200	3250	69	1
6BHE 48-21	160	200	3250	71.6	1
6BHE 48-22	160	200	3250	74.2	1
6BHE 48-23	150	200	4000	121	2
6BHE 48-24	150	200	4000	123.23	2
6BHE 48-25	150	200	4000	126.2	2
6BHE 48-26	150	200	4000	128.8	2



PACKING 6BHE 64

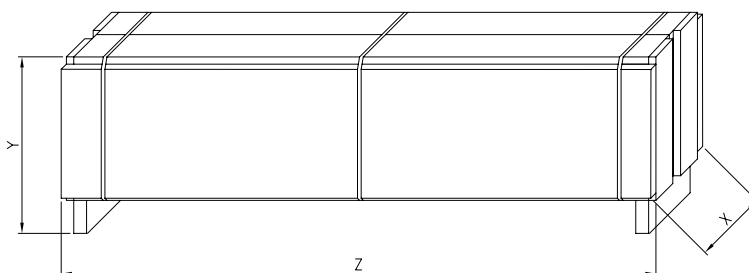
Pump type	Packing [mm]			Weight [kgf]	Type
	X	Y	Z		
6BHE 64-2	160	160	800	15	1
6BHE 64-3	160	160	800	17,3	1
6BHE 64-4	160	160	1200	20,5	1
6BHE 64-5	160	160	1200	23	1
6BHE 64-6	160	160	1200	25,4	1
6BHE 64-7	160	200	1500	28,5	1
6BHE 64-8	160	200	1500	31,1	1
6BHE 64-9	160	200	1500	33,4	1
6BHE 64-10	160	200	1900	39.4	1
6BHE 64-11	160	200	1900	42	1
6BHE 64-12	160	200	1900	44.6	1
6BHE 64-13	160	200	1900	47.2	1
6BHE 64-14	160	200	2440	51.2	1
6BHE 64-15	160	200	2440	53.8	1
6BHE 64-16	160	200	2440	56.5	1
6BHE 64-17	160	200	2440	59.1	1
6BHE 64-18	160	200	2440	61.7	1
6BHE 64-19	150	200	4000	110.4	2
6BHE 64-20	150	200	4000	113.1	2
6BHE 64-21	150	200	4000	115.6	2



PACKING 8 BHE

8BHE77				
Pump type	Packing [mm]			Weight [kgf]
	X	Y	Z	
8BHE 77-2	200	200	1050	16,6
8BHE 77-3	200	200	1050	16,6
8BHE 77-4	200	200	1050	16,6
8BHE 77-5	200	200	1050	16,6
8BHE 77-6	200	200	1550	23,1
8BHE 77-7	200	200	1550	23,1
8BHE 77-8	200	200	1550	23,1
8BHE 77-9	200	200	1550	23,1
8BHE 77-10	200	200	2050	25,6
8BHE 77-11	200	200	2050	25,6
8BHE 77-12	200	200	2050	25,6
8BHE 77-13	200	200	2050	25,6
8BHE 77-14	200	200	2550	31,1
8BHE 77-15	200	200	2550	31,1
8BHE 77-16	200	200	2550	31,1
8BHE 77-17	200	200	3050	39,6
8BHE 77-18	200	200	3050	39,6
8BHE 77-19	200	200	3050	39,6
8BHE 77-20	200	200	3050	39,6
8BHE 77-21	200	200	3250	46,1
8BHE 77-22	160	200	3250	46,1
8BHE 77-23	160	200	3250	46,1
8BHE 77-24	160	200	3250	46,1

8BHE95				
Pump type	Packing [mm]			Weight [kgf]
	X	Y	Z	
8BHE 95-2	200	200	1050	16,6
8BHE 95-3	200	200	1050	16,6
8BHE 95-4	200	200	1050	16,6
8BHE 95-5	200	200	1050	16,6
8BHE 95-6	200	200	1550	23,1
8BHE 95-7	200	200	1550	23,1
8BHE 95-8	200	200	1550	23,1
8BHE 95-9	200	200	1550	23,1
8BHE 95-10	200	200	2050	25,6
8BHE 95-11	200	200	2050	25,6
8BHE 95-12	200	200	2050	25,6
8BHE 95-13	200	200	2050	25,6
8BHE 95-14	200	200	2550	31,1
8BHE 95-15	200	200	2550	31,1
8BHE 95-16	200	200	2550	31,1
8BHE 95-17	200	200	3050	39,6
8BHE 95-18	200	200	3050	39,6
8BHE 95-19	200	200	3050	39,6
8BHE 95-20	200	200	3050	39,6
8BHE 95-21	200	200	3250	46,1
8BHE 95-22	160	200	3250	46,1
8BHE 95-23	160	200	3250	46,1



MOTOR DATA

OIL FILLED MOTORS

	Power		Hight thrust [N]	Three phase 380 V				Three phase 460 V			
	[kW]	[HP]		Input [kW]	IN [A]	IA [A]	Power factor	Input [kW]	IN [A]	IA [A]	Power factor
4"	3	4	5000	4.15	8.3	32.0	0.76	4.35	7.1	36.0	0.77
	4	5.5	5000	4.80	9.6	45.0	0.76	6.09	9.8	45.0	0.78
	5.5	7.5	5000	6.89	13.6	55.0	0.77	8.22	13.4	62.0	0.77
	7.5	10	4400	10.01	19.5	72.0	0.78	11.35	18.5	76.0	0.77
6"	4	5.5	5000/10000	5.43	9.6	10.7	0.86	3.60	7.8	8.9	0.58
	5.5	7.5	5000/10000	7.02	13	15.1	0.82	7.19	11	12.6	0.82
	7.5	10	10000	9.39	17.4	19.2	0.82	9.73	14.9	16.8	0.82
	9.3	12.5	10000	11.17	20.2	12.5	0.84	12.78	19.8	22.4	0.81
	11	15	10000	13.65	25.6	29.4	0.81	13.55	21	24	0.81
	15	20	10000	18.18	34.1	38	0.81	18.20	27.2	30.6	0.84
	18.5	25	10000	21.74	39.8	45.6	0.83	22.62	33.8	38	0.84
	22	30	10000	25.84	47.3	54.6	0.83	26.58	40.2	45.5	0.83
	30	40	20000	35.29	66.2	75	0.81	35.47	53	61.8	0.84
37	50	20000	45.60	84.5	96	0.82	47.61	72	76	0.83	

WATER FILLED MOTORS

	Power		Hight thrust [N]	Three phase 460 V			
	[kW]	[HP]		Input [kW]	IN [A]	IA [A]	Power factor
4"	3	4	3425	4.53	7.2	39.7	0.79
	3.7	5	3425	5.48	8.6	51.8	0.8
	5.5	7.5	3440	8.20	12.4	71.0	0.83
	7.5	10	3435	11.11	16.8	99.7	0.83
6"	4	5.5	15500	5.49	8.3	43.3	0.83
	5.5	7.5	15500	8.13	12.3	65	0.83
	7.5	10	15500	10.9	16.1	86	0.85
	9.3	12.5	15500	13.05	19.5	118	0.84
	11	15	15500	16.05	23.7	133	0.85
	15	20	15500	21	30.3	181	0.87
	18.5	25	15500	25.99	37.5	240	0.87
	22	30	15500	31.33	45.2	284	0.87
	30	40	27500	42.21	61.6	397	0.86
8"	37	50	27500	51.15	77	414	0.85
	45	60	27500	61.63	91	518	0.85
	45	60	45000	58.24	86	658	0.85
	55	75	45000	74.17	107	864	0.87
	75	100	45000	98.43	142	1211	0.87
	93	125	45000	125.82	188	1318	0.84
	110	150	45000	150.06	219	1620	0.86

OIL FILLED MOTORS CABLE SELECTION

EXAMPLE : 4" MOTOR 4 kW 380-460 V CABLE LENGTH 77 m - 4x2.5 mm²

Three phase (380-460 V) Direct starting

POWER			CABLE TYPE AND MAXIMUM LENGTH (*)											
Size	KW	HP	4x1	4x1,5	4x2	4x2,5	4x4	4x6	4x10	4x16	4x25	4x35		
4"	4	5.5	31	46	62	77	124	186	310	496	-	-		
	5.5	7.5	-	33	45	56	90	135	225	360	-	-		
	4	5.5	-	-	-	79	126	189	316	-	-	-		
6"	5.5	7.5	-	-	-	61	97	146	244	391	-	-		
	7.5	10	-	-	-	45	73	109	182	292	-	-		
	11	15	-	-	-	-	50	75	125	201	314	440		
	15	20	-	-	-	-	-	56	94	151	236	330		
	18.5	25	-	-	-	-	-	-	79	126	197	276		
	22	30	-	-	-	-	-	-	66	106	166	232		
30	40	-	-	-	-	-	-	-	-	121	170			

(*) Maximum cable length with a voltage drop of 3% at 30°C ambient temperature.

If the operating voltage U_i in the installation is different from the nominal voltage U_n , it is possible to calculate the permissible maximum length L_{max} , with the given table length L_{tab} , with the following formula:

$$L_{max} = L_{tab} (U_i / U_n)^2$$

WATER FILLED MOTORS CABLE SELECTION

Three phase (380-460V) Direct starting

POWER			CABLE TYPE AND MAXIMUM LENGHT(*)																		
Size	kW	HP	4x1	4x1.5	4x2	4x2.5	4x4	4x6	4x10	4x16	4X25	4x35	4x50	4x70	4x95	4x120	4x150	4x185	4x240	4x300	4x400
4"	4	5.5	34	51	68	85	135	203	338	541	-	-	-	-	-	-	-	-	-	-	-
	5.5	7.5	-	40	53	66	106	159	266	425	-	-	-	-	-	-	-	-	-	-	-
6"	4	5.5	31	47	-	78	125	188	314	503	-	-	-	-	-	-	-	-	-	-	-
	5.5	7.5	-	31	-	52	84	126	211	337	-	-	-	-	-	-	-	-	-	-	-
	7.5	10	-	-	-	35	56	84	140	224	-	-	-	-	-	-	-	-	-	-	-
	11	15	-	-	-	-	42	64	107	171	267	374	-	-	-	-	-	-	-	-	-
	15	20	-	-	-	-	-	49	81	130	204	286	408	-	-	-	-	-	-	-	-
	18.5	25	-	-	-	-	-	39	66	105	165	231	330	462	-	-	-	-	-	-	-
	22	30	-	-	-	-	-	-	54	87	137	191	274	383	-	-	-	-	-	-	-
	30	40	-	-	-	-	-	-	-	64	101	141	202	282	383	484	-	-	-	-	-
8"	37	50	-	-	-	-	-	-	-	-	82	115	164	230	313	395	494	609	-	-	-
	45	60	-	-	-	-	-	-	-	-	70	98	141	197	267	338	423	521	676	-	-
	55	75	-	-	-	-	-	-	-	-	-	78	112	157	214	270	338	417	541	676	-
	75	100	-	-	-	-	-	-	-	-	-	-	-	119	161	204	255	315	409	511	682
	93	125	-	-	-	-	-	-	-	-	-	-	-	-	129	163	204	252	327	408	545
	110	150	-	-	-	-	-	-	-	-	-	-	-	-	-	136	171	211	273	342	456

(*) Maximum cable length with a voltage drop of 3% at 30°C ambient temperature.

If the operating voltage U_i in the installation is different from the nominal voltage U_n , it is possible to calculate the permissible maximum length L_{max} with the following formula:

$$L_{max} = L_{tab} (U_i / U_n)^2$$

